

AT/XT PC Connectors Edge Connectors

.100" (2.54mm) Density
Dip Solder

CINCH

FEATURES

- *Designed for AT and XT personal computers.*
- *Dip solder tails on .200" (5.08mm) row centers double readout.*
- *Contact positions: 18/36 + 31/62, 31/62, and 18/36.*
- *Accepts .062" (1.59mm) thick PC boards.*
- *Bifurcated cantilever type contact.*

MATERIALS

Insulation Material: UL 94V-0 rated glass-filled polyester, black

Contact Material: Spring brass

Contact Plating: Gold over nickel in contact area, tin over nickel on tails

ENVIRONMENTAL

Operating Temperature: -55°C to +105°C

Moisture Resistance: Per MIL-STD-202, Method 103, Condition B

Application Information:

Specifically designed for use in AT and XT compatible personal computers. CINCH AT/XT Edge Connectors make computer capability enhancements efficient and economical. Available worldwide, the CINCH AT/XT Edge Connector is a low-cost solution for mother/daughter board interconnection.

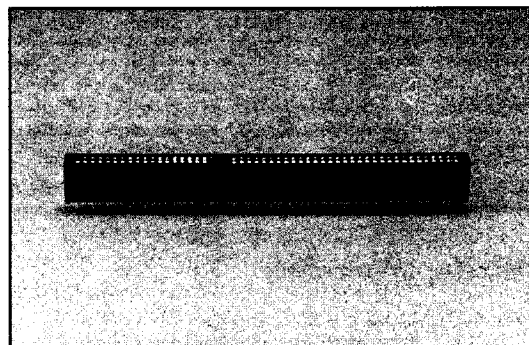
ELECTRICAL

Dielectric Withstanding Voltage: 1000 VAC RMS

Current Rating: 3 Amps

Contact Resistance: 20 Milliohms maximum

Insulation Resistance: 5000 Megohms minimum



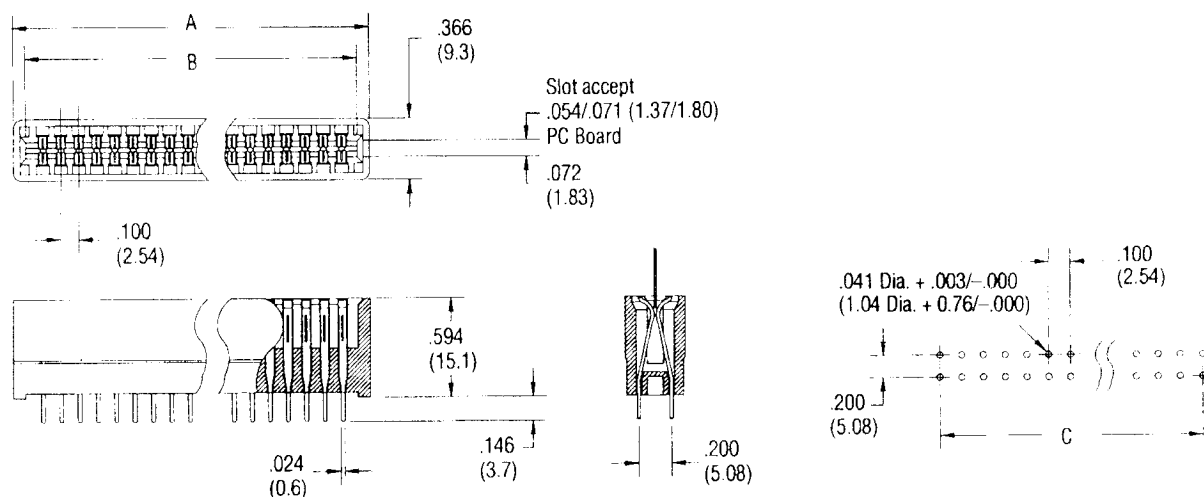
Marketed exclusively through distribution.

AT/XT PC Connectors Edge Connectors

.100" (2.54mm) Density
Dip Solder

CINCH

Dimensions



No. of Pos./Cont.	A		B		C	
	in	mm	in	mm	in	mm
18/36+31/62 IBM	5.461	138.70	5.299	134.60	5.100	129.54
31/62 IBM	3.357	85.28	3.200	81.28	3.000	76.20
18/36	2.057	52.26	1.900	48.26	1.700	43.18

Ordering Information

No. of Pos./Cont.	15µin. Gold Catalog No.	Gold Flash Catalog No.
18/36+31/62 IBM	50-52SNL-ATC	50-52SNL-ATF
31/62 IBM	50-31SNL-XTC	50-31SNL-XTF
18/36	50-36SNL-XTC	50-36SNL-XTF

Marketed exclusively through distribution.