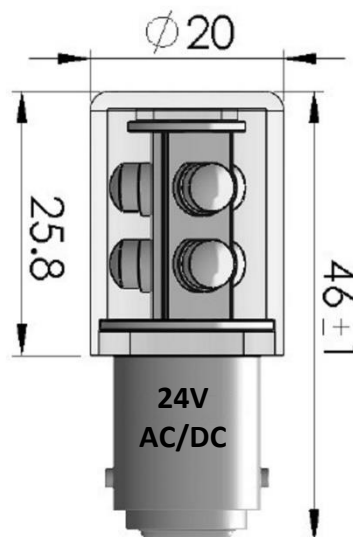


Part Number: 2054331X

Type	Size	Rating	Description
LED	T20x46	24V	BA15D LED Tower Lamp



Part #	Colour	Current (mA)	Luminous flux (lm)	Wave length (nm or K)
20543313	White	20	40	5500-6500K
20543315	Red	20	5.5	620-630nm
20543316	Yellow	20	5	585-595nm
20543317	Green	20	22	520-530nm
20543318	Blue	20	4	460-470nm

All values  $\pm 10\%$

#### Notes:

- |  |  |
|--|--|
| <b>1 Base Type</b>                           | BA15D  |
| <b>2 Lens Material</b>                       | The plastic (Polycarbonate) has limited chemical resistance                                |
| <b>3 Lamp Marking</b>                        | 24VAC/DC Engraved or durable ink stamped on base   |
| <b>4 Operating/storage Temperature Range</b> | -25°C to +80°C   |
| <b>5 Photometric data</b>                    | Valid at +25°C. Due to component tolerances, colour temperature variations may be observed |
| <b>6 Environment</b>                         | RoHS & REACH SVHC compliant  |