

Sealed Top and Rear Domed or Convex Lens

[Key Characteristics

Functional

- 10mm mounting
- 60° or 100° viewing angle

Resilient

- IP68 sealed
- Glass and metal construction
- -40°C to +85°C operating temp
- -55°C to +100°C storage temp

Adaptable

- Full colour range with lens options
- Voltage and current options
- Customer specials on request



[Specifications

COLOURS									
Luminous Intensity	mcd	White	Red	Yellow	Green	Blue	Voltage		Current (mA)
							Forward	Reverse	
High Intensity	150	x	✓	x	x	x	1.9	5	20
	800	x	x	✓	x	x	2.1	5	20
	2500	✓	x	x	✓	x	3.3	5	20
	600	x	x	x	x	✓	3.3	5	20
	100	x	✓	x	x	x	5,12,15,24,28	5,12,15,24,28	15
	600	x	x	✓	x	x	5,12,15,24,28	5,12,15,24,28	15
	1000	✓	x	x	✓	x	5,12,15,24,28	5,12,15,24,28	5
	450	x	x	x	x	✓	5,12,15,24,28	5,12,15,24,28	15

[Ordering Information

Finish

Blank - Aluminium Finish NB - Black Nickel
BB - Black Anodised C - Chromate

Lens Options

Blank - 60° Convex Lens
DOM - 100° Domed Lens
FDL - 60° Flat Diffused Lens

EMI Shielding

Blank - No EMI Shield
SES - EMI Shield (Unavailable with Black Anodised Body)

Termination

FLXX - Flying Leads (XX length in cm)

STR/LH/10 / / / / / / / /

Voltage

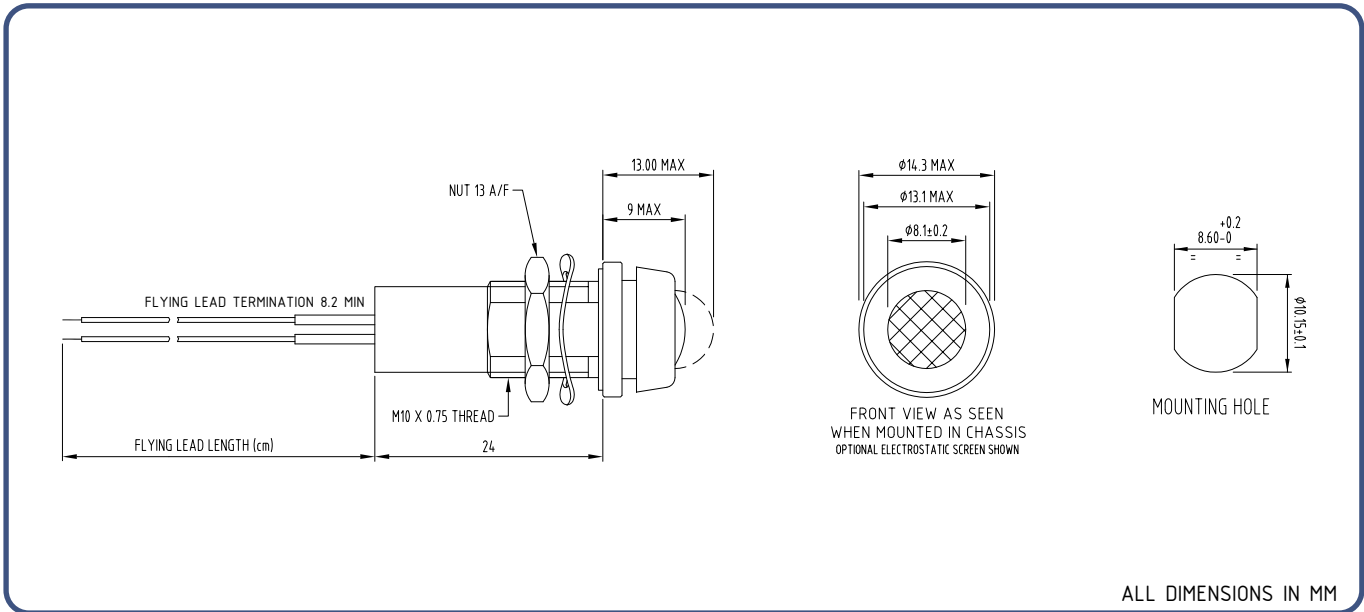
Blank - <5VDC (Current Driven) 15 - 15VDC/AC
5 - 5VDC/AC 24 - 24VDC/AC
12 - 12VDC/AC 28 - 28VDC/AC

Colours

AlGaAsRD - High Intensity Red H/BE - High Intensity Blue
H/GN - High Intensity Green H/WE - High Intensity White
H/YW - High Intensity Yellow

Example: STR/LH10/12/FL30/H/GN - 12VDC/AC, No EMI Shield, Convex Lens, Flying Leads 30cm, High Intensity Green

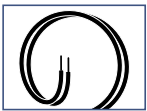
Example: STR/LH10/SES/FL30/AlGaAsRD - Current Driven, EMI Shield, Convex Lens, Flying Leads 30cm, High Intensity Red



Technical Information

Terminations	Flying Leads - Raychem 44, 24AWG.
Shroud	Aluminium Alloy, Black Anodised
Lens	Glass
Body and Nut	Aluminium Alloy. Optional Black Anodised Chromate and Black Nickel
Washer	BeCu Tin Plated
Sealing Ring	Fluorocarbon Rubber
Chassis Thickness	6.5mm max
Mounting Hole	10.15mm \pm 0.1mm
Recommended Mounting Torque	1Nm
Mean Time Before Failure	90,000 hours

Termination Options



Flying Leads

Lens Options



Convex



Dome



Flat Diffused

