



Touch sensitive sensors compatible with automotive applications



Capacitive touch sensors for installation on walls

- Non-contact switching, no pressure necessary, wear and tear-free
- Optical feedback by LEDs in case of switching
- Oil-resistant; protection rating IP 69K; impact and scratch resistant
- Easy wiring thanks to tried-and-tested 3-wire technology



Technology

The capacitive measuring principle detects an approaching human hand. Dynamic touch sensors suppress interference such as water, layers of ice or foreign bodies to a large extent. However, a gloved hand will still trigger them.

Static touch sensors detect hands and objects for as long as the sensing face is damped. Touch sensors also work through glass. Compared to mechanical switches the sensors operate without wear. Since they react to contact, no pressure is required for activation which means considerably increased ease of use.

The green LEDs can be controlled separately and for example be used to indicate the status of plant and machinery.





Applications:

Mobile area such as a start /stop button on mobile vehicles and semi-trailers, industrial applications.

Mounting options

Three common M4 cylinder head bolts or tapping screws of Ø 3.9 mm diameter are required to mount the sensor on a wall.

LEDs as optical feedback signal that the sensor has been activated.

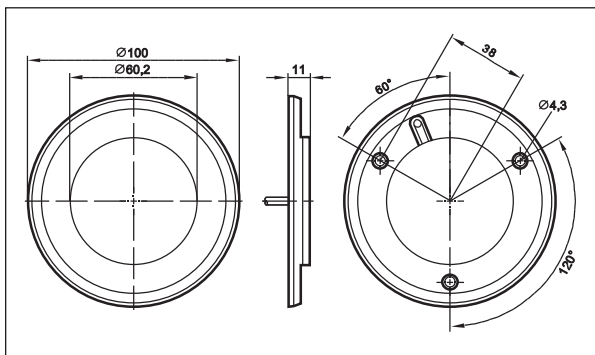
Applications

Industry: Here, sensors are used as start/stop buttons or enable switches on machines.

Mobile applications:

The sensors can be used as buttons on mobile vehicles and trailers. Furthermore they can be used as stop buttons or door openers. Designs for handicapped people with Braille are possible.

Dimensions



Accessories

Description	Order no.
Cover ring, polycarbonate yellow	E80372
Cover ring, polycarbonate green	E80373
Cover ring, polycarbonate red	E80374
Cover ring, polycarbonate blue	E80375
Cover ring, polycarbonate orange	E80376

Connectors and splitter boxes

Type	Description	Order no.
	M8 socket, 2 m black, PUR cable	EVC150
	M8 socket, 5 m black, PUR cable	EVC151
	M8 socket, 2 m black, PUR cable	EVC153
	M8 socket, 5 m black, PUR cable	EVC154

The products

Type	Description mounting on the wall	Order no.
Dynamic evaluation principle · DC PNP		
	Touch sensor, 2 m PUR cable	KT5001
	Touch sensor, 2 m PUR cable, green LEDs can be controlled	KT5009
	Touch sensor, 2 m PUR cable, without cover ring	KT5010
	Touch sensor, 0.3 m PUR cable with M8 plug	KT5002
	Touch sensor, 0.3 m PUR cable with M8 plug, without cover ring	KT5011
Dynamic evaluation principle · DC NPN		
	Touch sensor, 0.3 m PUR cable with M8 plug	KT5007
Static evaluation principle · DC PNP		
	Touch sensor, 2 m PUR cable	KT5005
	Touch sensor, 2 m PUR cable, without cover ring	KT5012
	Touch sensor, 0.3 m PUR cable with M8 plug	KT5006
	Touch sensor, 0.3 m PUR cable with M8 plug, without cover ring	KT5013

Other symbols as well as colours of the outer ring on request.

Common technical data		
Operating voltage	[V DC]	24 (12...36)
Current rating	[mA]	500
Current consumption	[mA]	30
Ambient temperature	[°C]	-40...85
Protection (front)		IP 69K