

PLEASE CHECK WWW.MOLEX.COM FOR LATEST PART INFORMATION

Part Number: [2008750003](#)
Status: **Active**
Overview: [Micro-Fit 3.0 Connector System Product Family](#)
Description: [Micro-Fit TPA Plug Housing, Single Row, 3 Circuits, UL 94V-0, Low-Halogen, Black](#)

Documents:

[Drawing \(PDF\)](#) [RoHS Certificate of Compliance \(PDF\)](#)
[Product Specification PS-43650 \(PDF\)](#) [Product Literature \(PDF\)](#)
[Packaging Specification 2008750000-PK-000 \(PDF\)](#)

Agency Certification

CSA LR19980
 UL E29179

General

Product Family Crimp Housings
 Series [200875](#)
 Application Power, Wire-to-Wire
 Comments See Product Specification for maximum current rating by circuit size and wire AWG
 Overview [Micro-Fit 3.0 Connector System Product Family](#)
 Product Literature Order No 987650-5984
 Product Name Micro-Fit TPA
 UPC 191128228831

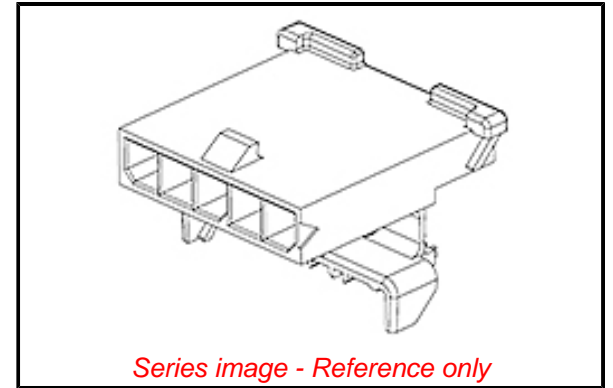
Physical

Circuits (maximum) 3
 Color - Resin Black
 Flammability 94V-0
 Gender Plug
 Glow-Wire Compliant No
 Keying to Mating Part None
 Lock to Mating Part Yes
 Material - Resin Nylon
 Net Weight 0.440/g
 Number of Rows 1
 Packaging Type Bag
 Panel Mount No
 Pitch - Mating Interface 3.00mm
 Polarized to Mating Part Yes
 Stackable No
 Temperature Range - Operating -40°C to +105°C

Material Info

Reference - Drawing Numbers

Packaging Specification 2008750000-PK-000
 Product Specification PS-43650
 Sales Drawing 2008750000-SD-000



EU ELV

Compliant

EU RoHS

Compliant

REACH SVHC

Not Contained Per -
 ED/30/2017 (7 July
 2017)

Halogen-Free

Status

Low-Halogen

Need more information on product environmental compliance?

Email productcompliance@molex.com
 Please visit the [Contact Us](#) section for any non-product compliance questions.

China ROHS

ELV

RoHS Phthalates

Green Image

Compliant

Not Contained

Search Parts in this Series

[200875 Series](#)

Mates With

Micro-Fit TPA Receptacle Housing [171850](#)

Micro-Fit 3.0 Receptacle Housing
[43645](#)

Use With

Micro-Fit 3.0 Male TPA Crimp
Terminal
[43031-5xxx](#)