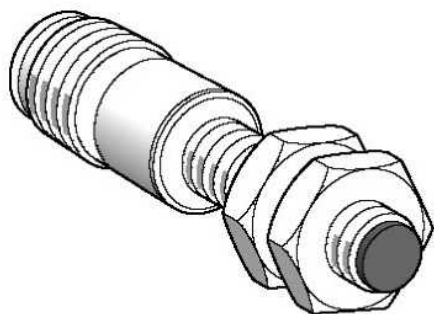


XS4P08PA340D

inductive sensor XS4 M8 - L45mm - PPS - Sn2.5mm - 12..24VDC - M12



Main

| | |
|------------------------------------|---|
| Range of product | OsiSense XS |
| Series name | General purpose |
| Sensor type | Inductive proximity sensor |
| Product specific application | - |
| Sensor name | XS4 |
| Sensor design | Cylindrical M8 |
| Size | 45 mm |
| Body type | Fixed |
| Detector flush mounting acceptance | Non flush mountable |
| Material | Plastic |
| Type of output signal | Discrete |
| Wiring technique | 3-wire |
| [Sn] nominal sensing distance | 2.5 mm |
| Discrete output function | 1 NO |
| Output circuit type | DC |
| Discrete output type | PNP |
| Electrical connection | M12 male connector, 4 pins |
| [Us] rated supply voltage | 12...24 V DC with reverse polarity protection |
| Switching capacity in mA | <= 200 mA DC with overload and short-circuit protection |
| IP degree of protection | IP67 conforming to IEC 60529 |



Complementary

| | |
|-----------------------|---------------------------------|
| ISO thread | M8 x 1 |
| Detection face | Frontal |
| Front material | PPS |
| Enclosure material | PPS |
| Operating zone | 0...2 mm |
| Differential travel | 1...15% of Sr |
| Status LED | 1 LED (yellow) for output state |
| Supply voltage limits | 10...36 V DC |
| Switching frequency | <= 5000 Hz |
| Voltage drop | <= 2 V (closed) |
| Current consumption | <= 10 mA (no-load) |
| Delay first up | <= 10 ms |
| Delay response | <= 0.1 ms |
| Delay recovery | <= 0.1 ms |
| Marking | CE |
| Threaded length | 26 mm |
| Length | 42 mm |
| CAD overall height | 18 mm |
| CAD overall depth | 45 mm |
| Product weight | 0.015 kg |

Environment

| | |
|---------------------------------------|---|
| Product certifications | CSA UL |
| Ambient air temperature for operation | -25...70 °C |
| Ambient air temperature for storage | -40...85 °C |
| Vibration resistance | 25 gn, amplitude: +/- 2 mm (f = 10...55 Hz) conforming to IEC 60068-2-6 |
| Shock resistance | 50 gn (duration = 11 ms) conforming to IEC 60068-2-27 |

Offer Sustainability

| | |
|----------------------------------|--|
| Sustainable offer status | Green Premium product |
| RoHS | Compliant - since 1010 - Schneider Electric declaration of conformity |
| REACH | Reference not containing SVHC above the threshold |
| Product environmental profile | Available  Download Product Environmental |
| Product end of life instructions | Available  Download End Of Life Manual |

Contractual warranty

| | |
|--------|-----------|
| Period | 18 months |
|--------|-----------|