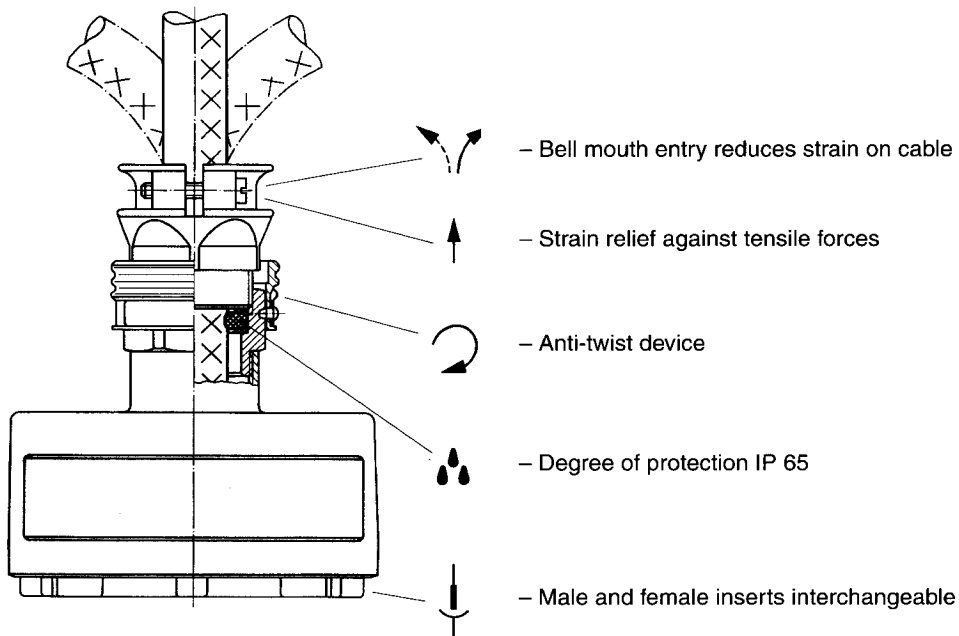
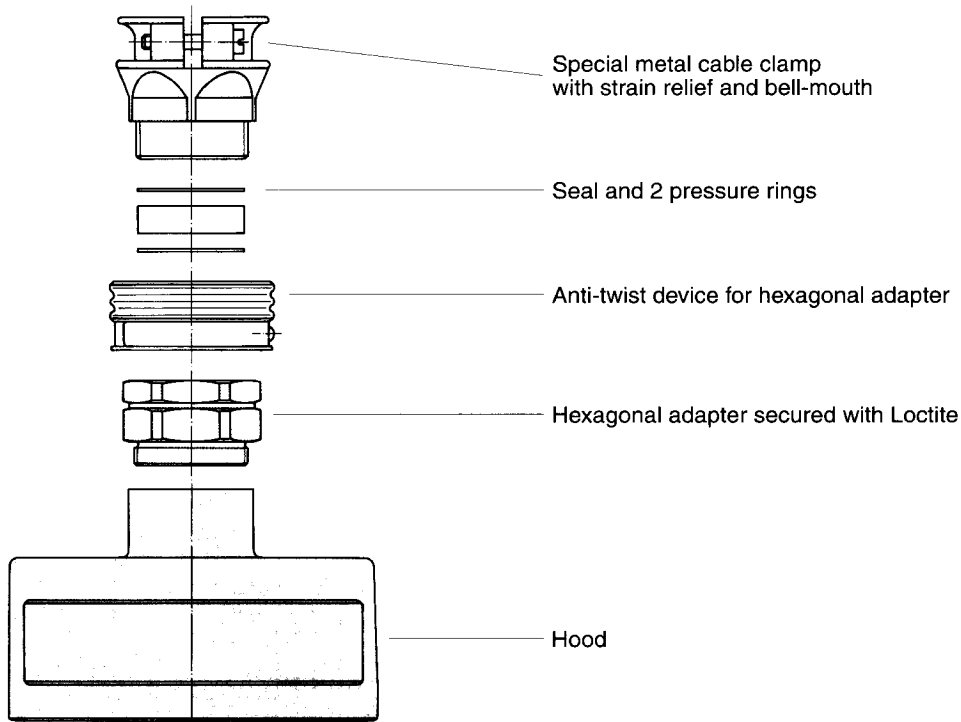


# Cable entry protection

## Special cable clamp with anti-twist device



## Assembly details for hoods with special cable clamp and anti-twist device



## Assembly instructions

- The special cable clamp, pressure rings and seal must first be slid onto the prepared cable.
- The anti-twist device can be fitted to the hood or the hexagonal adaptor as shown, ensuring that it is in its inoperative position.
- The insert may now be wired and fixed in the hood.
- Slide the seal and pressure rings into position.
- Screw in the special cable clamp until cable entry is sealed ensuring that the upper and lower hexagonal sections are in alignment.
- Move the anti-twist device towards the special cable clamp until the sprung securing pin is in the locked position (see assembled connector drawing above).
- Tighten the strain relief clamp.

# Cable clamps



Identification

Part No.

Pg

Drawing

Dimensions in mm

**Special cable clamp**  
metal, with bell-mouth cable fitting  
and strain relief

for Standard Hoods/Housings



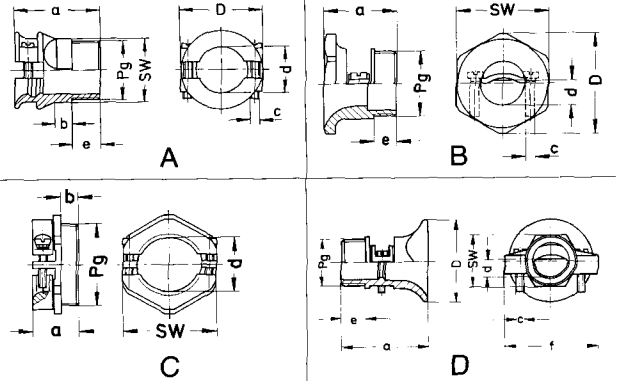
Style A	<b>09 00 000 5101</b>	11
Style B	<b>09 00 000 5102</b>	13.5
Style B	<b>09 00 000 5103</b>	16
Style A	<b>09 00 000 5104</b>	21
Style A	<b>09 00 000 5106</b>	29

for Hoods/Housings Han U

Style A	<b>09 36 000 5101</b>	11
---------	-----------------------	----

for Hoods/Housings Han M

Style A	09 37 000 5101	11
Style A	<b>09 37 000 5104</b>	21
Style A	<b>09 37 000 5106</b>	29



**Special cable clamp**  
brass, with strain relief



Style C	<b>09 00 000 5196</b>	36
Style C	<b>09 00 000 5197</b>	42

**Special cable clamp**  
thermoplastic, with bell-mouth cable  
fitting and strain relief



Style D	<b>09 00 000 5165</b>	11
Style D	<b>09 00 000 5166</b>	13.5
Style D	<b>09 00 000 5167</b>	16
Style D	<b>09 00 000 5168</b>	21
Style D	<b>09 00 000 5169</b>	29
Style D	<b>09 00 000 5170</b>	36

Style	PG	SW	a	c	d		D	e	f
					min.	max.			
A	11	19	26.6	M3	6	11	23	9	-
A	13.5	22	31	M3	9	14	28	10	-
A	16	24	33	M4	10	16	30	9.5	-
A	21	30	39.5	M4	13.5	21	37	12	-
A	29	41	49	M5	19	29	50	13	-
B	13.5	28	22	M3	9	14	31.5	6.5	-
B	16	30	23	M3	10	16	33.5	6.5	-
C	36	52	25.3	-	25	37	-	9.5	-
C	42	59	26.3	-	31	43	-	10	-
D	11	19	35	M3	6	11	33	9	35
D	13.5	22	36.5	M3	7.5	14	36	10	39
D	16	24	40	M4	10	16	38	10	45
D	21	30	47.5	M4	12.5	21	46	12	51
D	29	41	55.5	M5	17	29	60	13	64
D	36	50	62	M5	20.5	36	76	13	72

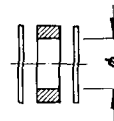
Normal seal

for Standard  
Hoods/  
Housings



<b>09 00 000 5020</b>	11
<b>09 00 000 5021</b>	13.5
<b>09 00 000 5022</b>	16
<b>09 00 000 5023</b>	21
<b>09 00 000 5024</b>	29
09 00 000 5025	36
09 00 000 5026	42

cable ø	
min.	max.
10	12
12	14
14	16
19	21
28	30
35	37
41	43



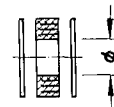
Multiple seal

for Standard  
Hoods/  
Housings



<b>09 00 000 5027</b>	11
<b>09 00 000 5028</b>	13.5
<b>09 00 000 5029</b>	16
<b>09 00 000 5030</b>	21
<b>09 00 000 5031</b>	29
<b>09 00 000 5032</b>	36
09 00 000 5033	42

cable ø	
min.	max.
6.5	12
6.5	13.5
6.5	16
9	20
17	28
23	34
29	40



for Hoods/  
Housings  
Han M



09 37 000 5027	11
09 37 000 5028	13.5
09 37 000 5029	16
09 37 000 5030	21
09 37 000 5031	29

cable ø	
min.	max.
6.5	12
6.5	13.5
6.5	16
9	20
17	28

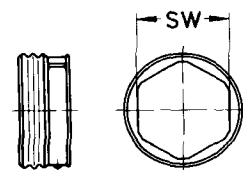
Anti-twist device

for special metal cable  
clamp style A  
and hexagonal adaptor



09 36 000 9901	11
09 36 000 9902	13.5
09 36 000 9903	16
09 36 000 9904	21
09 36 000 9905	29

SW
20
22
24
30
41



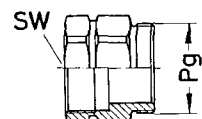
Hexagonal adaptor

metal  
for anti-twist device



09 36 000 5131	11
09 36 000 5132	13.5
09 36 000 5133	16
09 36 000 5134	21
09 36 000 5135	29

SW
20
22
24
30
41



Stock items in bold type