

# SPECIFICATION FOR APPROVAL

Description : Speaker Transducer

Specification No. : PKD-7987

Number Of The Edition : 1.3

CUSTOMER'S APPROVED SIGNATURE		

Approved by	Checked by	Issued by
		Feng 05/22/09'

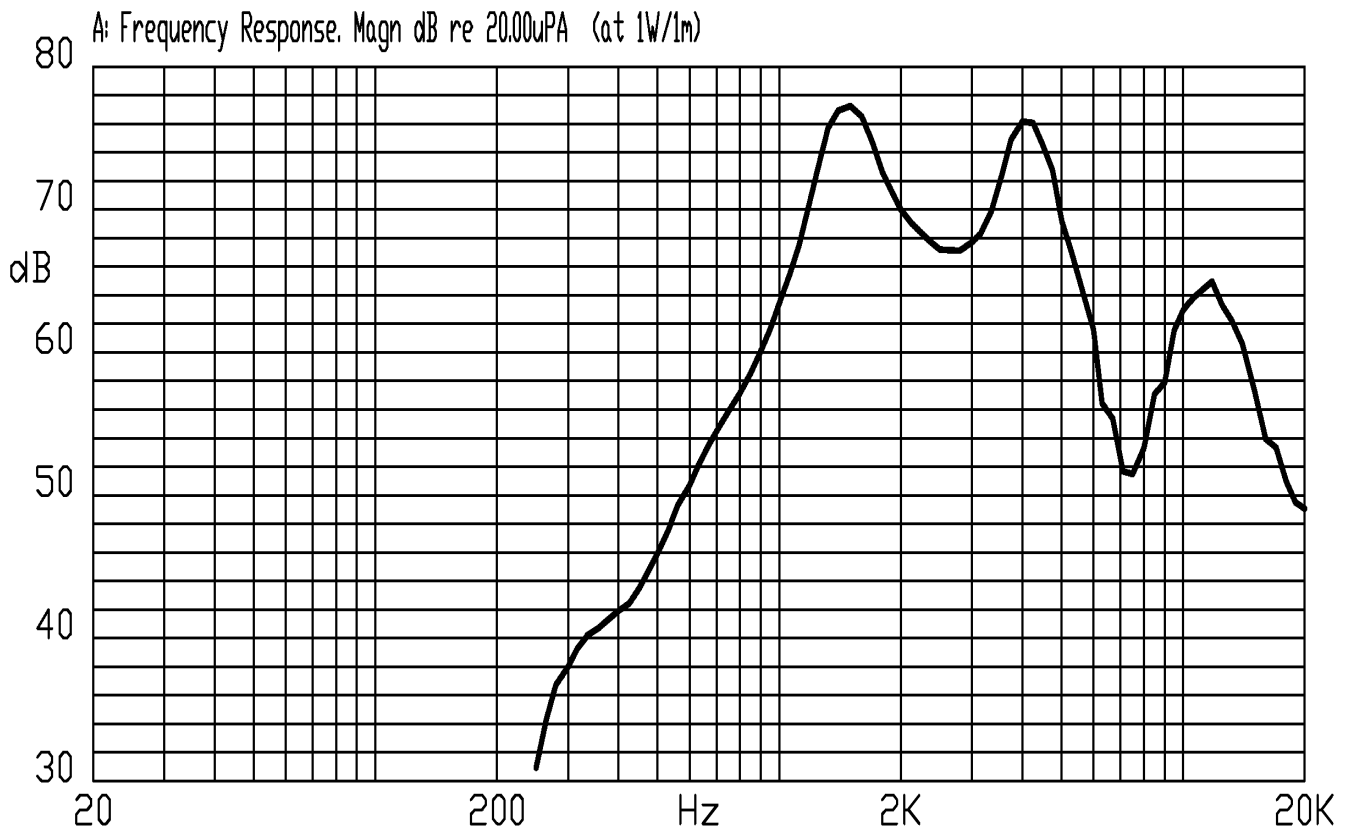
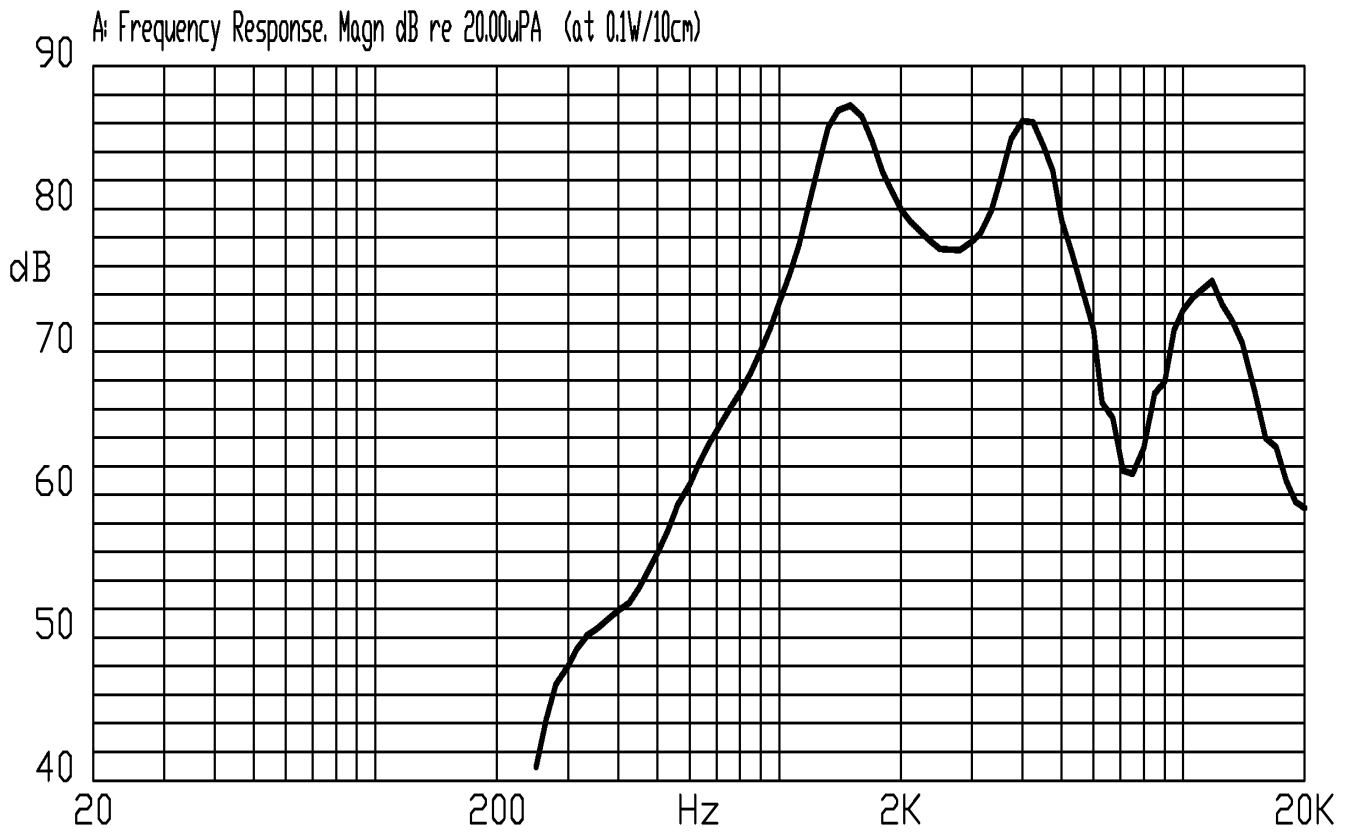
## A. SCOPE

This specification applies speaker, **KSSG2308-2**

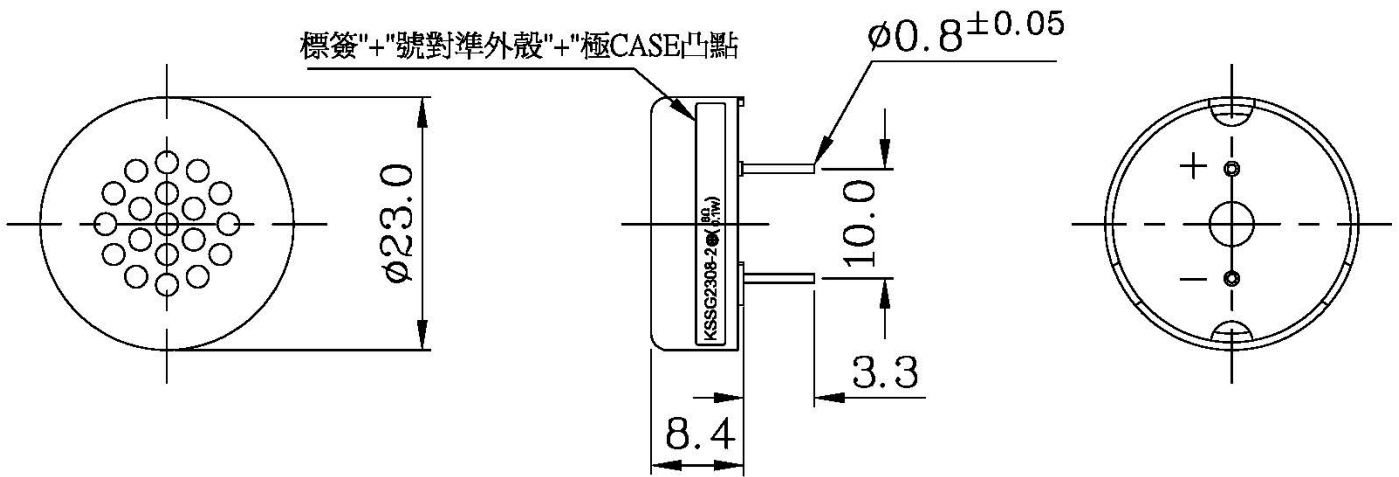
## B. SPECIFICATION

No.	Item	Symbol	Unit	Specification	Condition
1	Dimension		mm	$\phi$ 23.0 x 11.7	
2	Power Rating		W	Rated. 0.1/ MAX. 0.15	Maximum Power:IEC-60268-5 Filter 60s On/120s Off 10 Cycles (Room TEMP.)
3	Impedance	$\Omega$	ohm	$8 \pm 15\%$	At 2.0kHz 1.0V
4	Resonance Frequency	Fo	Hz	$1500 \pm 20\%$	At 1.0V
5	Output S.P.L.		dB	$88 \pm 3\text{dB}(0.1\text{w}/10\text{cm})$ $77 \pm 3\text{dB}(1\text{w}/1\text{m})$	At 2.0k,2.5k,3.0k,4.0kHz (Average figures)
6	Frequency Range		Hz	Fo---6K	Output S.P.L. $\pm 10\text{dB}$
7	Distortion		%	5% Max.	At 2.0kHz , 0.1W
8	Voice Coil		mm	-----	
9	Terminal		mm	Pin	Please see attached drawing
10	Magnet		mm	$\phi 6.5 \times 1.5$	Rare
11	Flux Density		Gauss	-----	
12	Operating temp.		$^{\circ}\text{C}$	-20 ~ + 55	
13	Buzze & Rattle				Not be audible at 0.89V sine wave between Fo ~ 6KHz
14	Weight		g	3.2	
15	Material			ABS UL-94 1/16" HB (Black)	
16	Environmental Protection Regulation			RoHS	

### C. TYPICAL FREQUENCY RESPONSE CURVE



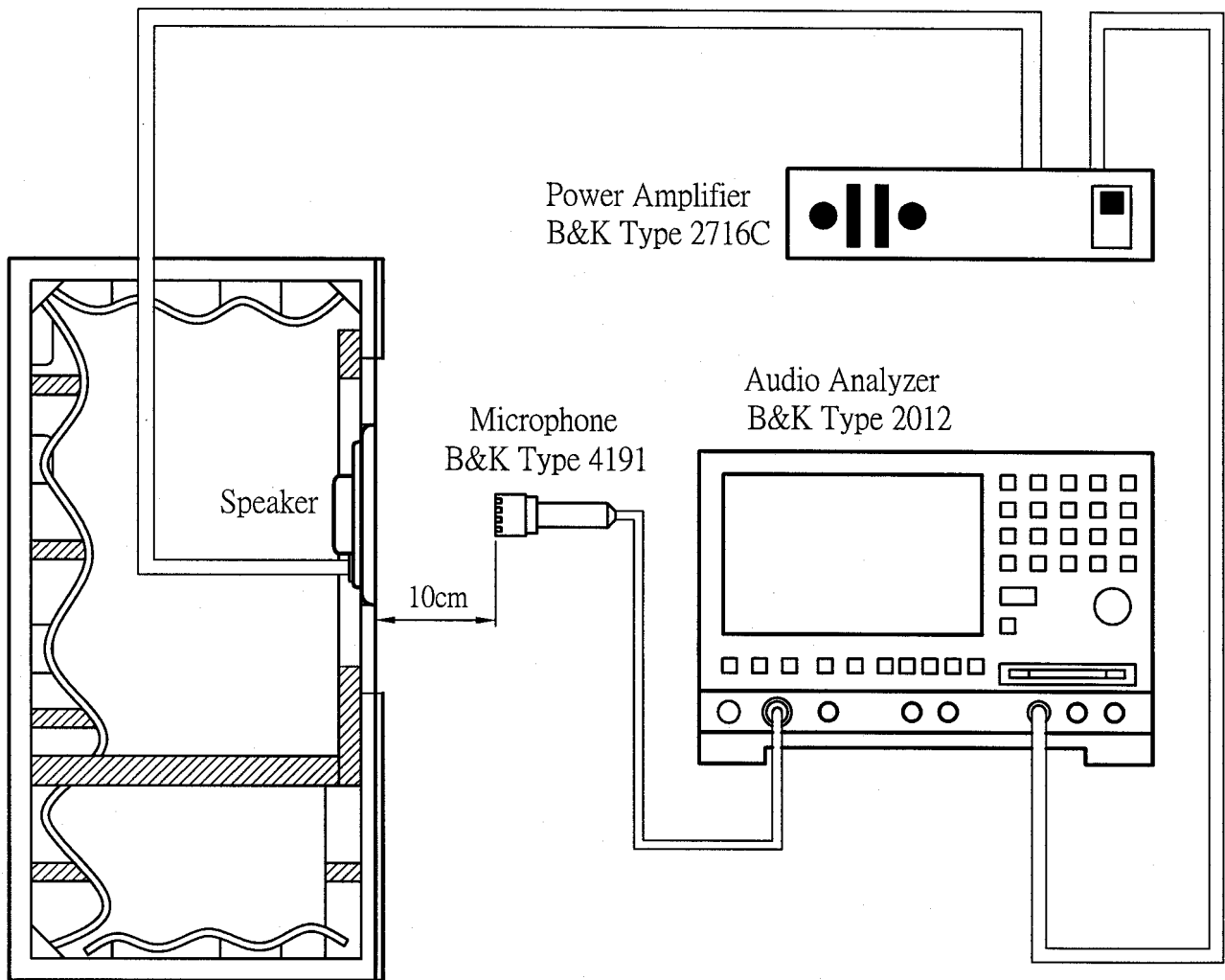
### D. APPEARANCE DRAWING



Tol:  $\pm 0.3$

Unit: mm

### E. MEASUREMENT CIRCUIT



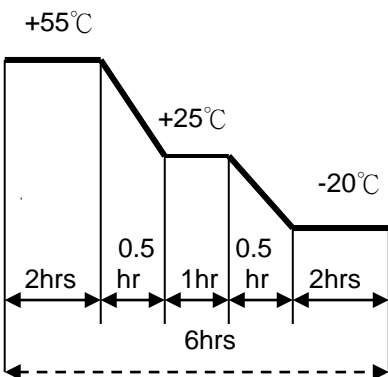
JIS C5531

940mm x 640mm x 1240mm

## F. MECHANICAL CHARACTERISTICS

No.	Item	Test condition	Evaluation standard
1	Solderability (Spring Contact excepted)	Lead terminals are immersed in rosin for 5 seconds and then immersed in solder bath of $+270\pm 5^{\circ}\text{C}$ for $3\pm 1$ seconds.	90% min. lead terminals shall be wet with solder. (Except the edge of terminal)
2	Soldering Heat Resistance (Spring Contact excepted)	Lead terminal are immersed up to 1.5mm from sounder's body in solder bath of $+260\pm 5^{\circ}\text{C}$ for $3\pm 1$ seconds.	No interference in operation
3	Terminal Pull Strength	(1) Spring Contact: Applied 3N (0.306kg) load to the Spring Contact for 30 sec. (2) Terminal : Applied 9.8N (1.0kg) load to the Terminal for 30 sec.	No damage and cutting off
4	Vibration Test	Speaker shall be measured after being applied vibration of amplitude of 1.5mm with 10 to 55Hz band of vibration frequency to each of 3 per-pendicular directions for 2 hours.	No obstacle to be harmful to normal operation; damages, cracks, rusts and distortions.
5	Drop Test	Drop the speakers contained in normal box onto the board 40mm thick 10 times from the height of 75cm.	Should not be audible at 0.89V sine wave between $F_o \sim 6\text{KHz}$

## G. ENVIRONMENTAL TEST

No.	Item	Test conditions	Evaluation standard
1	High temp. Test	After being placed in a chamber at $+55^{\circ}\text{C}$ for 96 hours	Being placed for 6 hours at $+25^{\circ}\text{C}$ , speaker shall be measured. No obstacle to be harmful to normal operation; damages, cracks, rusts, etc. Should not be audible at 0.89V sine wave between $F_o \sim 6\text{KHz}$ . $F_o$ should meet initial one. S.P.L. deviation of unit should be within $\pm 3\text{dB}$
2	Low temp. Test	After being placed in a chamber at $-20^{\circ}\text{C}$ for 96 hours.	
3	Humidity test	After being placed in a chamber at $+40^{\circ}\text{C}$ and $90\pm 5\%$ RH relative humidity for 96 hours.	
4	Temp. cycle test	The part shall be subjected to 5 cycles. One cycle shall be consist of:  	

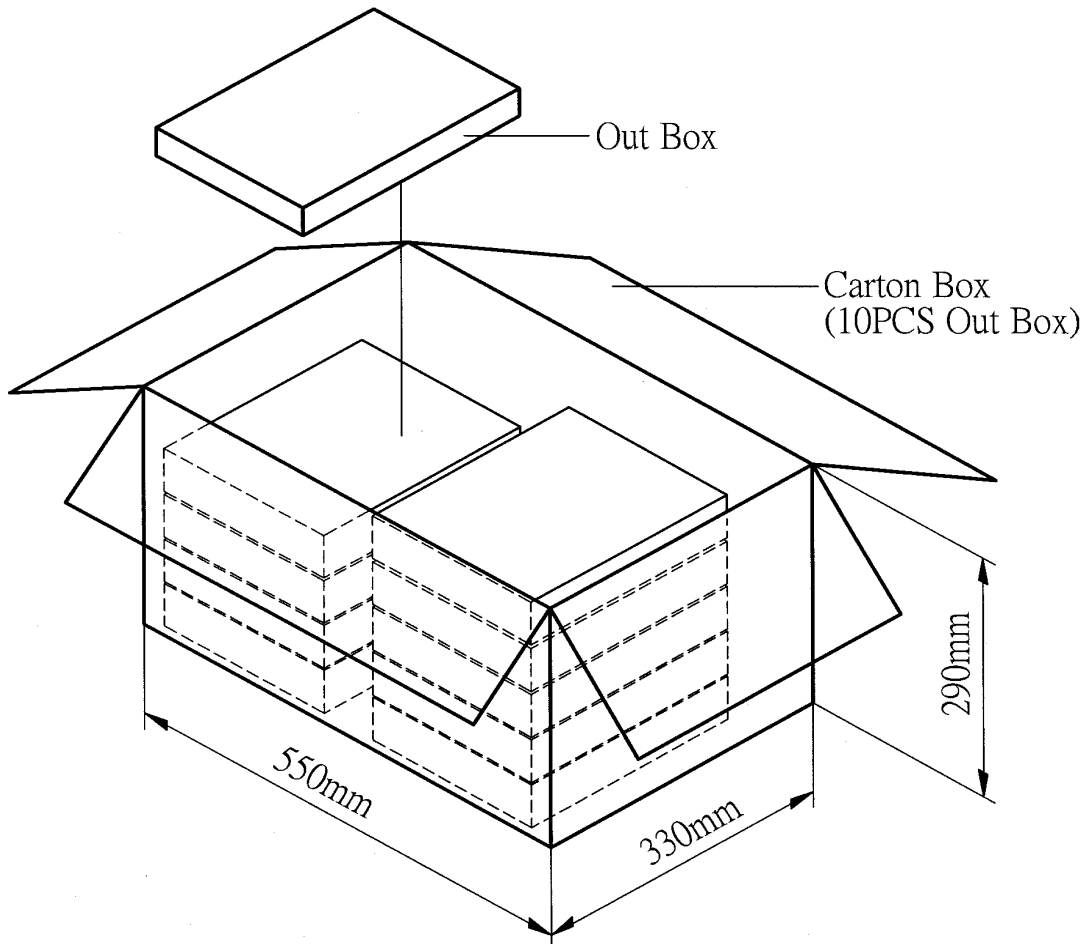
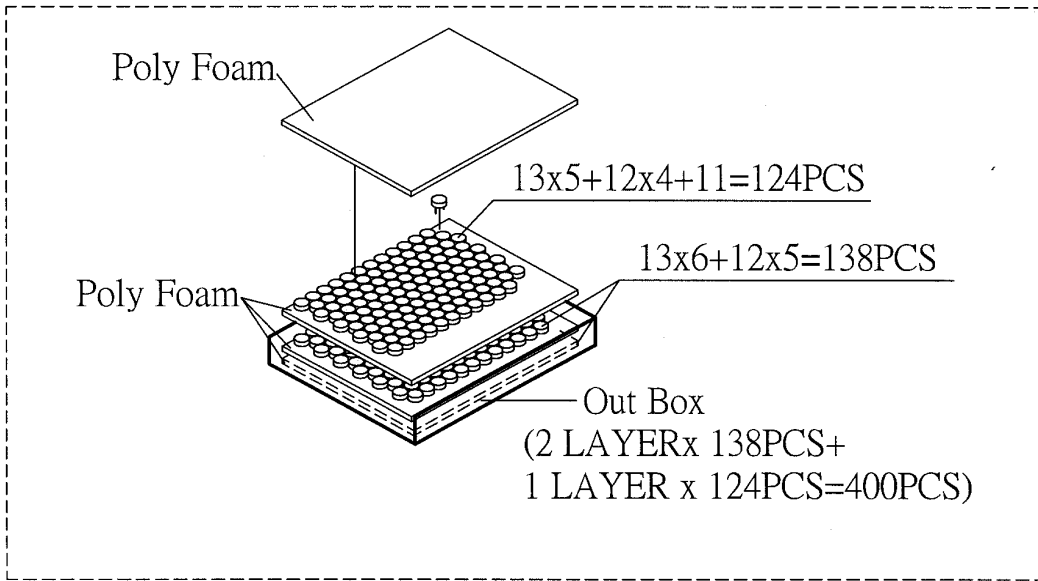
## H. RELIABILITY TEST

No.	Item	Test conditions	Evaluation standard
1	Load test	0.1W white noise is applied for 24 hours, at room temp.	Being placed for 1 hours at +25°C, speaker shall be measured. No obstacle to be harmful to normal operation; damages, cracks, rusts, etc. Should not be audible at 0.89V sine wave between Fo ~ 6KHz. Fo should meet initial one. S.P.L. deviation of unit should be within ±3dB.

### TEST CONDITION.

Standard Test Condition : a) Temperature : +5 ~ +35°C    b) Humidity : 45-85%    c) Pressure : 860-1060mbar  
Judgement Test Condition    a) Temperature : +25 ± 2°C    b) Humidity : 60-70%    c) Pressure : 860-1060mbar

# I. PACKING STANDARD



Out Box	310mmx248mmx49mm	1x400PCS=400PCS
Carton Box	550mmx330mmx290mm	400PCSx10=4,000PCS