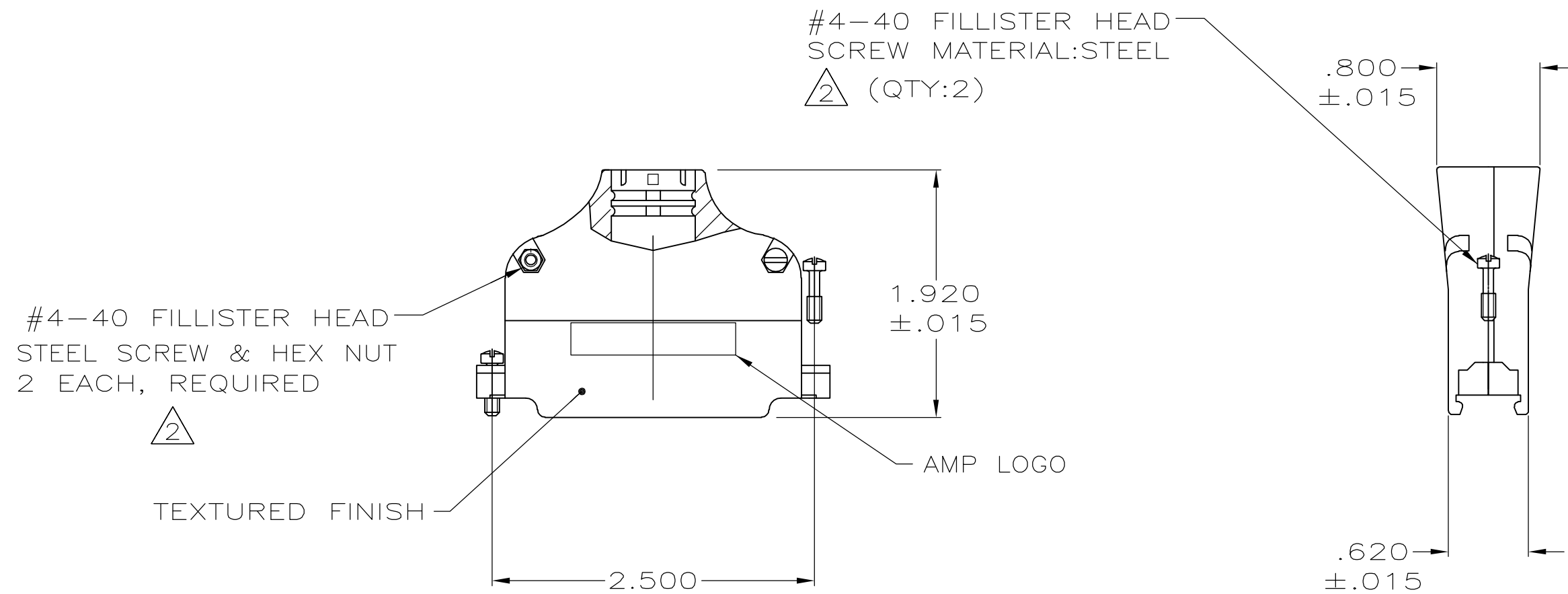
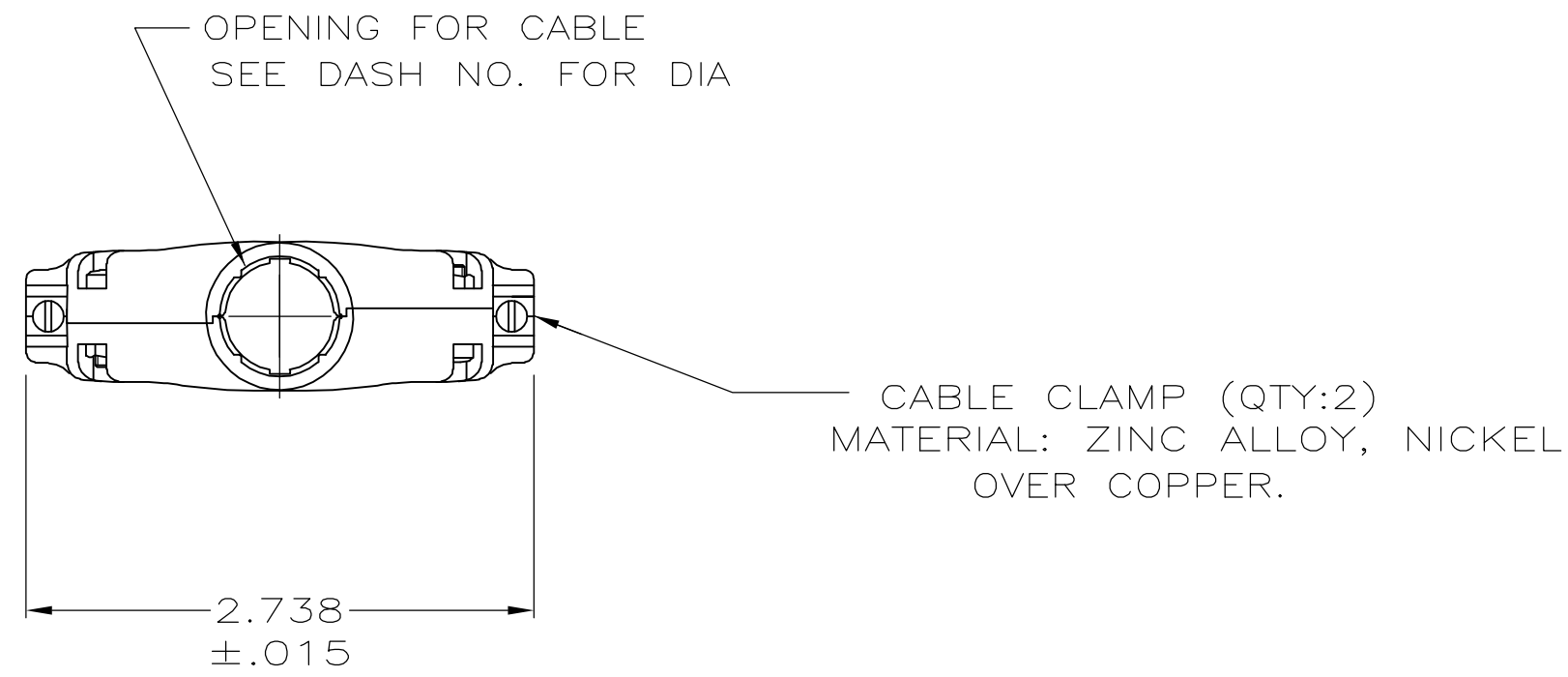


THIS DRAWING IS UNPUBLISHED. RELEASED FOR PUBLICATION
 © COPYRIGHT BY TYCO ELECTRONICS CORPORATION. ALL RIGHTS RESERVED.

| LOC | DIST | REVISIONS | | | |
|-----|------|-------------|------------------------------|---------|-----------|
| P | LTR | DESCRIPTION | DATE | DWN | APVD |
| GP | 00 | 0 | RELEASED PER EC 0S13-0226-05 | 8-13-05 | D.H. J.G. |



| NECK IDENT | CABLE DIA | PART NO. |
|------------|-----------|-------------|
| P | .530 | 2-5745174-7 |
| F | .350 | 5745174-5 |
| J | .425 | 5745174-4 |
| N | .500 | 5745174-3 |
| R | .575 | 5745174-2 |
| T | .650 | 5745174-1 |

1. PARTS PACKAGED UNASSEMBLED.

ZINC PLATED .000200-.000400 THICK, CLEAR CHROMATE COATING.

**COPYRIGHT 2005
 TYCO ELECTRONICS CORP
 ALL RIGHTS RESERVED**

| | | | | |
|--|--|--------------------------------|---|-------------------------|
| THIS DRAWING IS A CONTROLLED DOCUMENT. | | DWN D. HENNY 8-13-05 | Tyco Electronics Corporation Harrisburg, Pa 17105-3608 | |
| DIMENSIONS: INCHES | | CHK C. ROHDE 8-13-05 | | |
| | | APVD M. WALMSLEY 8-13-05 | NAME CABLE CLAMP KIT, SIZE 4, 37 POSITION, 180', AMPLIMITE SERIES | |
| TOLERANCES UNLESS OTHERWISE SPECIFIED: | | PRODUCT SPEC | RESTRICTED TO | |
| MATERIAL SEE CALLOUTS | | FINISH SEE CALLOUTS | WEIGHT - | SIZE A2 |
| | | APPLICATION SPEC | CAGE CODE 00779 | DRAWING NO C=5745174 |
| | | ANGLES ± - | SCALE 1:1 | SHEET 1 OF 1 |
| | | CUSTOMER DRAWING | REV 0 | |

5745174