

JUMO GmbH & Co. KG

Delivery address: Mackenrodtstraße 14
36039 Fulda, Germany
Postal address: 36035 Fulda, Germany
Phone: +49 661 6003-0
Fax: +49 661 6003-607
E-mail: mail@jumo.net
Internet: www.jumo.net

JUMO Instrument Co. Ltd.

JUMO House
Temple Bank, Riverway
Harlow, Essex CM20 2DY, UK
Phone: +44 1279 635533
Fax: +44 1279 635262
E-mail: sales@jumo.co.uk
Internet: www.jumo.co.uk

JUMO Process Control, Inc.

6733 Myers Road
East Syracuse, NY 13057, USA
Phone: 315-437-5866
1-800-554-5866
Fax: 315-437-5860
E-mail: info.us@jumo.net
Internet: www.jumousa.com



Push-in RTD Temperature Probe with Connecting Cable

- Temperature range from -50 to +400 °C
- As single or double RTD temperature probe
- In 2-wire, 3-wire or 4-wire-circuit
- Connecting cable PVC, silicone, PTFE, metal braiding

Push-in RTD temperature probes are mainly used for measuring temperature in liquids and gases. The application areas, among others, are the air conditioning and refrigeration industry, in the construction of heating systems/furnaces/equipment, and in laboratory technology.

Depending on the version, the connection cables are suitable for dry or moist rooms with a temperature range between -50 to +400 °C. The connecting cable transition points are strain-relieved. An anti-kink protection is available as an option.

A Pt100 temperature sensing element according to DIN EN 60751, class b in 2-wire circuit is used as a measuring insert by default – versions with Pt500 or Pt1000 are also possible. The connection is also available in 3-wire and 4-wire circuits as an option.



Technical data

Connection	Cable ends stripped bare, with ferrules available with push-on contacts or multi-pole plug connector
Connecting cable	PVC, ambient temperature -5 to +80 °C (+105 °C) PUR, ambient temperature -5 (+5) to +105 °C Silicone, ambient temperature -50 to +180 °C PTFE, ambient temperature -50 to +260 °C Metal braiding, ambient temperature -50 to +260 °C (+350 °C / +400 °C)
Protection tube	Stainless steel 1.4571, Ø 3 mm, Ø 4 mm, Ø 5 mm, Ø 5.2 mm, Ø 6 mm, and Ø 8 mm
Measuring insert	Pt100 temperature sensing element, DIN EN 60751, class B, 2-wire circuit
Response times	In water 0.4 m/s / in air 3.0 m/s Ø 6 mm: water $t_{0.5}$ approx. 4 s, $t_{0.9}$ approx. 10 s / in air $t_{0.5}$ approx. 32 s, $t_{0.9}$ approx. 98 s Ø 8 mm: water $t_{0.5}$ approx. 7 s, $t_{0.9}$ approx. 18 s / in air $t_{0.5}$ approx. 50 s, $t_{0.9}$ approx. 140 s
Accessories	For pipe screw connections and flanges refer to data sheet 909750

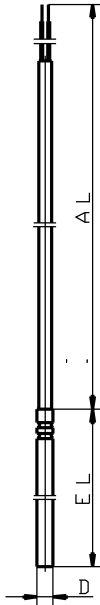
JUMO GmbH & Co. KG
 Delivery address: Mackenrodtstraße 14
 36039 Fulda, Germany
 Postal address: 36035 Fulda, Germany
 Phone: +49 661 6003-0
 Fax: +49 661 6003-607
 E-mail: mail@jumo.net
 Internet: www.jumo.net

JUMO Instrument Co. Ltd.
 JUMO House
 Temple Bank, Riverway
 Harlow, Essex CM20 2DY, UK
 Phone: +44 1279 635533
 Fax: +44 1279 635262
 E-mail: sales@jumo.co.uk
 Internet: www.jumo.co.uk

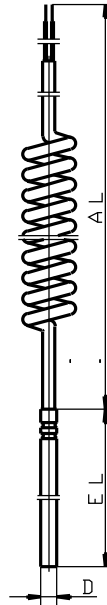
JUMO Process Control, Inc.
 6733 Myers Road
 East Syracuse, NY 13057, USA
 Phone: 315-437-5866
 1-800-554-5866
 Fax: 315-437-5860
 E-mail: info.us@jumo.net
 Internet: www.jumousa.com



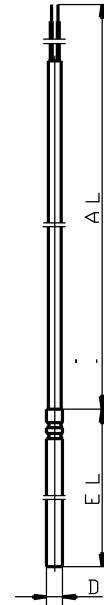
Dimensions



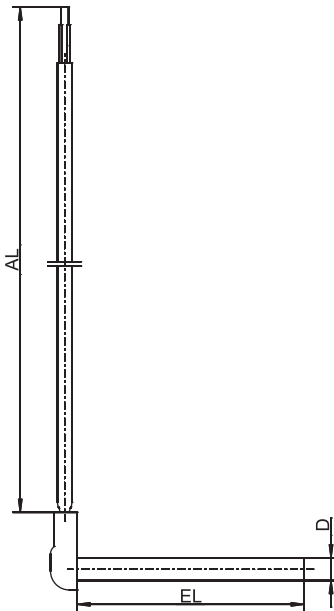
Basic type 902150/10



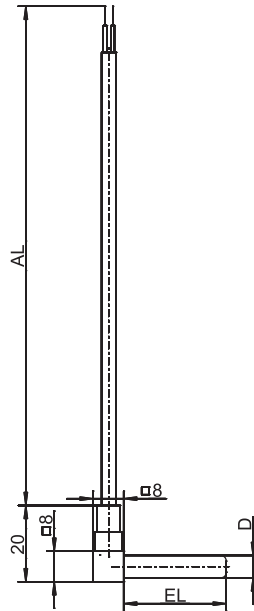
Basic type 902150/20



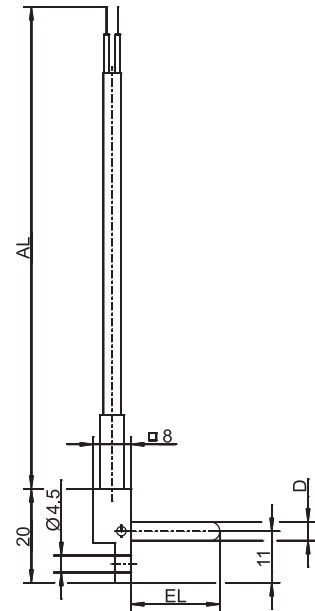
Basic type 902150/30



Basic type 902150/40



Basic type 902150/42



Basic type 902150/44

JUMO GmbH & Co. KG
 Delivery address: Mackenrodtstraße 14
 36039 Fulda, Germany
 Postal address: 36035 Fulda, Germany
 Phone: +49 661 6003-0
 Fax: +49 661 6003-607
 E-mail: mail@jumo.net
 Internet: www.jumo.net

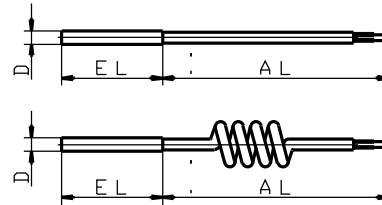
JUMO Instrument Co. Ltd.
 JUMO House
 Temple Bank, Riverway
 Harlow, Essex CM20 2DY, UK
 Phone: +44 1279 635533
 Fax: +44 1279 635262
 E-mail: sales@jumo.co.uk
 Internet: www.jumo.co.uk

JUMO Process Control, Inc.
 6733 Myers Road
 East Syracuse, NY 13057, USA
 Phone: 315-437-5866
 1-800-554-5866
 Fax: 315-437-5860
 E-mail: info.us@jumo.net
 Internet: www.jumousa.com



Order details: Push-in RTD temperature probe with connecting cable

(1) Basic type	
902150/10	Push-in RTD temperature probe with connecting cable, single-section protection tube made of stainless steel
902150/20	Push-in RTD temperature probe with spiral connecting cable, single-section protection tube made of stainless steel
(2) Operating temperature in °C/connecting cable	
x	378 -50 to +180 °C / silicone
x	386 -50 to +260 °C / PTFE
x	388 -50 to +260 °C / metal braiding
x	402 -50 to +400 °C / metal braiding
x	724 -5 to +80 °C / PVC
x x	730 -5 to +105 °C / PVC or PUR
x	912 5 to +105 °C / PUR (only with 1× Pt100 in 2-wire circuit)
(3) Measuring insert	
x	1001 1× Pt 100 in 3-wire-circuit
x x	1003 1× Pt 100 in 2-wire circuit
x	1011 1× Pt 100 in 4-wire circuit
x	2001 2× Pt 100 in 3-wire-circuit
x	2003 2× Pt 100 in 2-wire circuit
(4) Tolerance class according to DIN EN 60751	
x x	1 Class B (standard)
x x	2 Class A
(5) Protection tube diameter D in mm	
x	3 Ø 3 mm (only as 1× Pt100 in 2-wire circuit with PTFE connecting cable)
x	4 Ø 4 mm (only as 1× Pt100 in 2-wire circuit with silicone, PTFE connecting cable, or metal braid)
x	5 Ø 5 mm
x	5.2 Ø 5.2 mm
x x	6 Ø 6 mm
(6) Insertion length EL in mm	
x	30 30 mm (standard with D 3 mm and D 4 mm)
x	45 45 mm (standard with D 5 mm and D 5.2 mm)
x x	50 50 mm (not for D < 6 mm)
x	60 60 mm (not for D < 6 mm)
(7) Connecting cable end	
x x	03 Blank connection wires
x x	11 Ferrules (standard)
x x	13 Push-on contact 6.3
x x	80 Multi-pole plug connector (specify type in plain text)
(8) Connecting cable length AL in mm (AL 500 to 500,000 mm for basic type 902150/10)	
x	1100 1,100 mm (effective)
x	1500 1,500 mm
x	2500 2,500 mm
x	... Please specify in plain text (500 mm steps)
(9) Extra codes	
x x	000 Without extra code
x	315 Strain relief spring
x	316 Strain-relief spring hose
x x	317 Shielded connecting cable
x	858 Waterproof, protection type IP65 (only for EL 60 mm with PUR or silicone connecting cable)



Order code	(1)	(2)	(3)	(4)	(5)	(6)	(7)	(8)	(9)	, ... ¹							
Order example	902150/10	-	378	-	1001	-	1	-	6	-	50	-	11	-	2500	/	000

¹ List extra codes in sequence, separated by commas.

JUMO GmbH & Co. KG
 Delivery address: Mackenrodtstraße 14
 36039 Fulda, Germany
 Postal address: 36035 Fulda, Germany
 Phone: +49 661 6003-0
 Fax: +49 661 6003-607
 E-mail: mail@jumo.net
 Internet: www.jumo.net

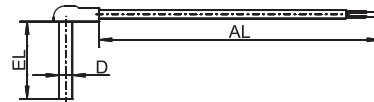
JUMO Instrument Co. Ltd.
 JUMO House
 Temple Bank, Riverway
 Harlow, Essex CM20 2DY, UK
 Phone: +44 1279 635533
 Fax: +44 1279 635262
 E-mail: sales@jumo.co.uk
 Internet: www.jumo.co.uk

JUMO Process Control, Inc.
 6733 Myers Road
 East Syracuse, NY 13057, USA
 Phone: 315-437-5866
 1-800-554-5866
 Fax: 315-437-5860
 E-mail: info.us@jumo.net
 Internet: www.jumousa.com



Order details: Push-in RTD temperature probe with connecting cable

	(1) Basic type	
	902150/30	Push-in RTD temperature probe with connecting cable, multi-part protection tube (welded) made of stainless steel
	902150/40	Push-in RTD temperature probe with connecting cable, multi-part protection tube right-angled (welded) made of stainless steel
	(2) Operating temperature in °C / connecting cable	
x	378	-50 to +180 °C / silicone
x	386	-50 to +260 °C / PTFE
x	388	-50 to +260 °C / metal braiding
x	397	-50 to +350 °C / metal braiding
x	402	-50 to +400 °C / metal braiding
x	724	-5 to +80 °C / PVC
x	912	5 to +105 °C / PUR (only with 1× Pt100 in 2-wire circuit)
	(3) Measuring insert	
x	1001	1× Pt 100 in 3-wire-circuit
x x	1003	1× Pt 100 in 2-wire circuit
x	1011	1× Pt 100 in 4-wire circuit
x	2001	2× Pt 100 in 3-wire-circuit
x x	2003	2× Pt 100 in 2-wire circuit
	(4) Tolerance class according to DIN EN 60751	
x x	1	Class B (standard)
x x	2	Class A
	(5) Protection tube diameter D in mm	
x x	6	∅ 6 mm
x	8	∅ 8 mm
	(6) Insertion length EL in mm (EL 50 to 500 mm)	
x x	50	50 mm
x x	60	60 mm
x x	100	100 mm
x x	150	150 mm
x x	200	200 mm
x x	...	Please specify in plain text (50 mm steps)
	(7) Connecting cable end	
x x	03	Blank connection wires
x x	11	Ferrules (standard)
x x	13	Push-on contact 6.3
x x	80	Multi-pole connector (specify type in plain text)
	(8) Connecting cable length AL in mm (500 to 500,000 mm)	
x x	2500	2,500 mm
x x	...	Please specify in plain text (500 mm steps)
	(9) Extra codes	
x	000	Without extra code
x	310	Protection tube offset
x	315	Strain relief spring
x	316	Strain-relief spring hose
x x	317	Shielded connecting cable



Order code	(1)	(2)	(3)	(4)	(5)	(6)	(7)	(8)	(9)	, ... ¹
Order example	902150/30	- 378	- 1001	- 1	- 6	- 50	- 11	- 2500	/ 000	

¹ List extra codes in sequence, separated by commas.

JUMO GmbH & Co. KG
 Delivery address: Mackenrodtstraße 14
 36039 Fulda, Germany
 Postal address: 36035 Fulda, Germany
 Phone: +49 661 6003-0
 Fax: +49 661 6003-607
 E-mail: mail@jumo.net
 Internet: www.jumo.net

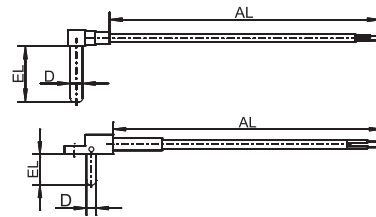
JUMO Instrument Co. Ltd.
 JUMO House
 Temple Bank, Riverway
 Harlow, Essex CM20 2DY, UK
 Phone: +44 1279 635533
 Fax: +44 1279 635262
 E-mail: sales@jumo.co.uk
 Internet: www.jumo.co.uk

JUMO Process Control, Inc.
 6733 Myers Road
 East Syracuse, NY 13057, USA
 Phone: 315-437-5866
 1-800-554-5866
 Fax: 315-437-5860
 E-mail: info.us@jumo.net
 Internet: www.jumousa.com



Order details: Push-in RTD temperature probe with connecting cable

		(1) Basic type	
	902150/42	Push-in RTD temperature probe with connecting cable, single-section protection tube right-angled made of stainless steel	
	902150/44	Push-in RTD temperature probe with connecting cable and mounting borehole, single-section protection tube right-angled made of stainless steel	
x	x	(2) Operating temperature in °C / connecting cable	
	388	-50 to +260 °C / metal braiding	
		(3) Measuring insert	
x	x	1003	1× Pt 100 in 2-wire circuit
x		1011	1× Pt 100 in 4-wire circuit
x		2003	2× Pt 100 in 2-wire circuit
		(4) Tolerance class according to DIN EN 60751	
x	x	1	Class B (standard)
x	x	2	Class A
		(5) Protection tube diameter D in mm	
	x	4	∅ 4 mm
	x	6	∅ 6 mm
		(6) Insertion length EL in mm	
	x	9	9 mm
	x	12	12 mm
	x	20	20 mm
	x	50	50 mm
		(7) Connecting cable end	
x	x	03	Blank connection wires
x	x	11	Ferrules (standard)
x	x	13	Push-on contact 6.3
x	x	80	Multi-pole connector (specify type in plain text)
		(8) Connecting cable length AL in mm (500 to 500,000 mm)	
x	x	2500	2,500 mm
x	x	...	Please specify in plain text (500 mm steps)
		(9) Extra codes	
x	x	000	Without extra code
x	x	315	Strain relief spring
x	x	317	Shielded connecting cable



Order code	(1)	(2)	(3)	(4)	(5)	(6)	(7)	(8)	(9)	...								
Order example	902150/42	-	388	-	1003	-	1	-	6	-	20	-	03	-	2500	/	000	, ... ¹

¹ List extra codes in sequence, separated by commas.

JUMO GmbH & Co. KG

Delivery address: Mackenrodtstraße 14
36039 Fulda, Germany
Postal address: 36035 Fulda, Germany
Phone: +49 661 6003-0
Fax: +49 661 6003-607
E-mail: mail@jumo.net
Internet: www.jumo.net

JUMO Instrument Co. Ltd.

JUMO House
Temple Bank, Riverway
Harlow, Essex CM20 2DY, UK
Phone: +44 1279 635533
Fax: +44 1279 635262
E-mail: sales@jumo.co.uk
Internet: www.jumo.co.uk

JUMO Process Control, Inc.

6733 Myers Road
East Syracuse, NY 13057, USA
Phone: 315-437-5866
1-800-554-5866
Fax: 315-437-5860
E-mail: info.us@jumo.net
Internet: www.jumousa.com

**Stock versions**

(1)	(2)	(3)	(4)	(5)	(6)	(7)	(8)	(9)	Part no.
902150/10	- 378	- 1003	- 1	- 5.2	- 45	- 11	- 2500	/ 000	00326037
902150/10	- 378	- 1003	- 1	- 6	- 50	- 11	- 2500	/ 000	00389771
902150/10	- 378	- 1003	- 1	- 6	- 50	- 11	- 1500	/ 000	00085313
902150/10	- 378	- 1001	- 1	- 6	- 50	- 11	- 2500	/ 000	00392513
902150/10	- 378	- 1003	- 1	- 6	- 60	- 11	- 2500	/ 858	00492541
902150/10	- 402	- 1003	- 1	- 6	- 50	- 11	- 1500	/ 317	00085311
902150/10	- 724	- 1003	- 1	- 6	- 50	- 11	- 2500	/ 000	00059085
902150/10	- 724	- 1003	- 1	- 6	- 50	- 11	- 1500	/ 000	00085315
902150/10	- 730	- 1003	- 1	- 6	- 50	- 11	- 1500	/ 000	00085316
902150/10	- 730	- 1003	- 1	- 6	- 60	- 11	- 2500	/ 858	00492539
902150/20	- 730	- 1003	- 1	- 6	- 50	- 11	- 1100	/ 000	00065495
902150/30	- 388	- 1003	- 1	- 6	- 50	- 11	- 2500	/ 315.317	00055718
902150/30	- 388	- 1003	- 1	- 6	- 100	- 11	- 2500	/ 315.317	00055719
902150/30	- 388	- 1001	- 1	- 6	- 50	- 11	- 2500	/ 315.317	00065451
902150/30	- 388	- 1001	- 1	- 6	- 100	- 11	- 2500	/ 315.317	00065453
902150/30	- 402	- 1001	- 1	- 6	- 150	- 11	- 2500	/ 315.317	00549701
902150/40	- 397	- 1003	- 1	- 6	- 60	- 11	- 2500	/ 317	00055715