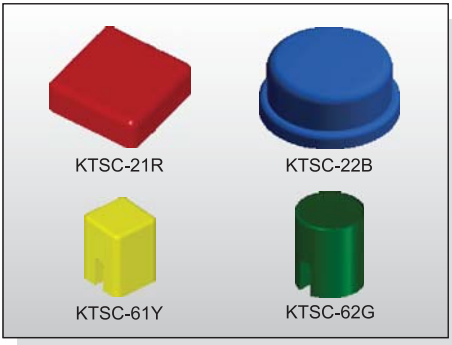


TACT SWITCH
KTSC-(6)(2) SERIES

Cap for 6x6 / 12x12
 Tact Switch



HOW TO ORDER

KTSC - [] [] []

Prod. Size: <Tactile Switch>
 2=12X12mm (Can be applied on DTS□-24)
 6=6x6mm (Can be applied on DTS□-644)

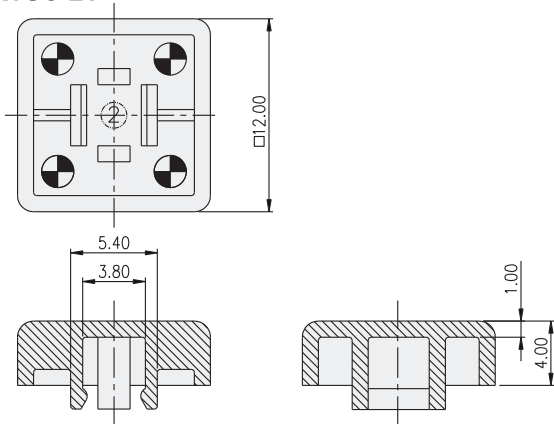
Cap Type:
 1=Square
 2=Round

Cap color:
 Y=Yellow
 B=Blue
 R=Red
 I=Ivory
 K=Black
 G=Green
 S=Salmon
 Ge=Gray

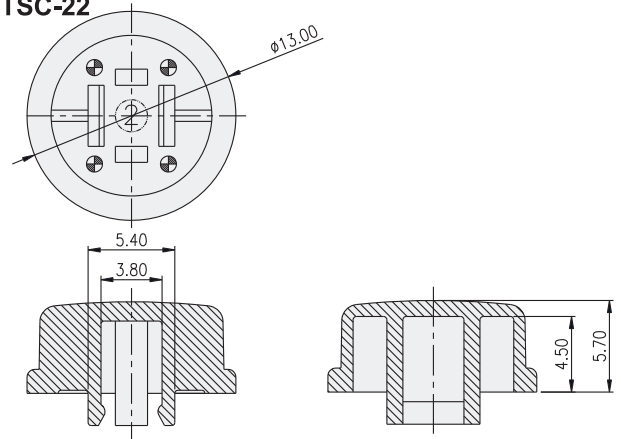
PACKAGE

<Bag>
 KTSC-2: 500 pcs
 KTSC-6: 1500 pcs

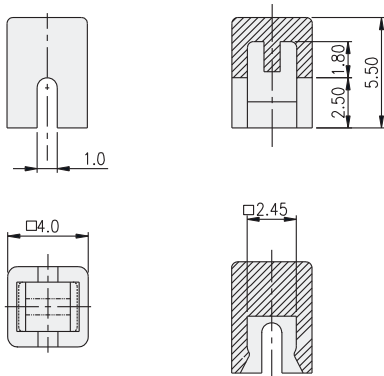
KTSC-21



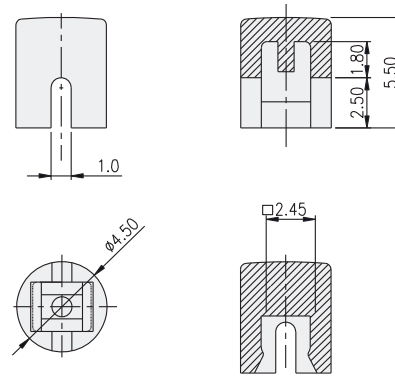
KTSC-22



KTSC-61



KTSC-62



RS Components