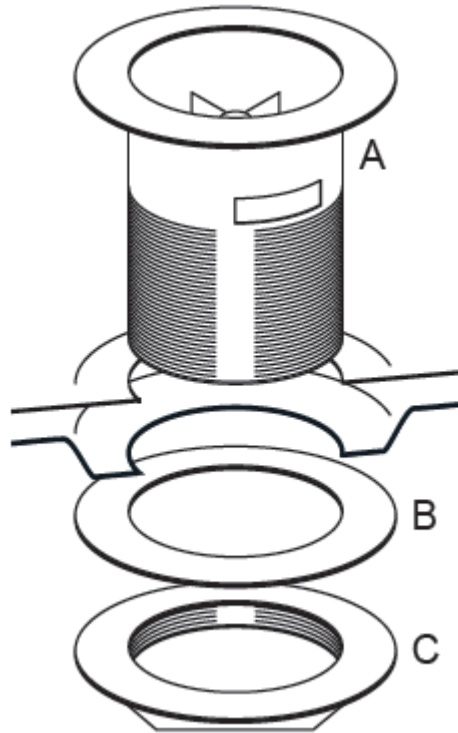




## **Basin Waste– Fitting Instructions**



1. Position the waste body (A) in the outlet hole of the hand basin, seating it on a bed of silicone sealant for a good seal.
2. Ensure that the overflow slots in the waste body face the integral basin overflow slots.
3. Underneath the basin, place the washer (B) with silicone sealant applied to both faces and screw backing nut (C) on waste body and firmly hand tighten. *On ceramic basins take care not to overtighten to avoid cracking the basin.*
4. Allow sufficient time for the silicone to cure