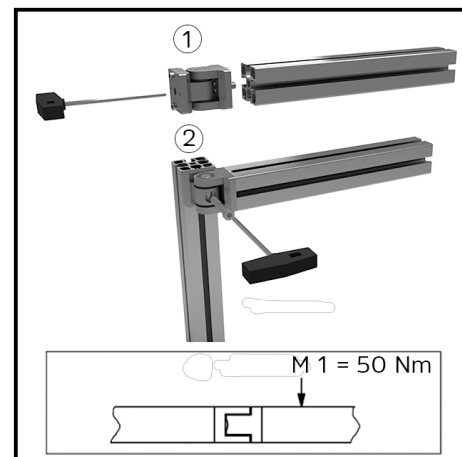
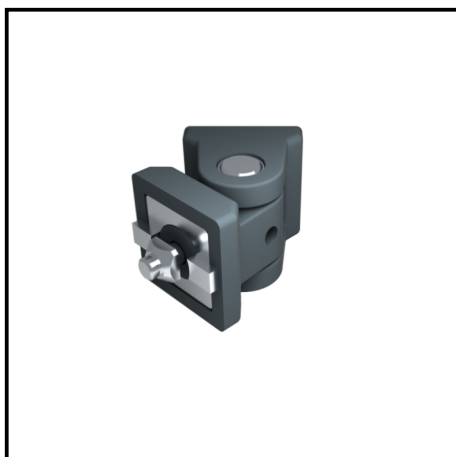
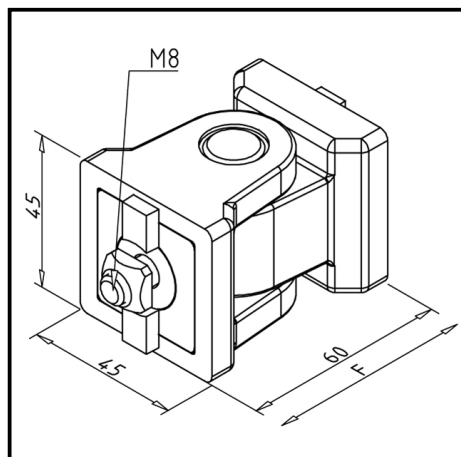


# SWIVEL LINK 45/15

Article Nr. 21.2315/0

[See the product on the website](#) →

[Download CAD Files](#) →



## TECHN. DATA / ITEMS SUPPLIED

- Aluminium, Pressure die-casting, powder-coated, grey
- With fastening material steel, zinc plated
- With low-friction sliding bearing
- Anti-rotation device AL GD
- Load  $F_{\max}$  2700 N
- Weight = 0.312 kg/piece

## APPLICATIONS

- Heavy duty swing doors, storage of moving parts
- Not lockable
- For heavy loads use multiple hinges

## ASSEMBLY

- Attach the first joint half to the profile strut on the face side
- Fasten the second joint half to the supporting frame