



Brand of NTN corporation

Technical data

UKF216H

Bearing units

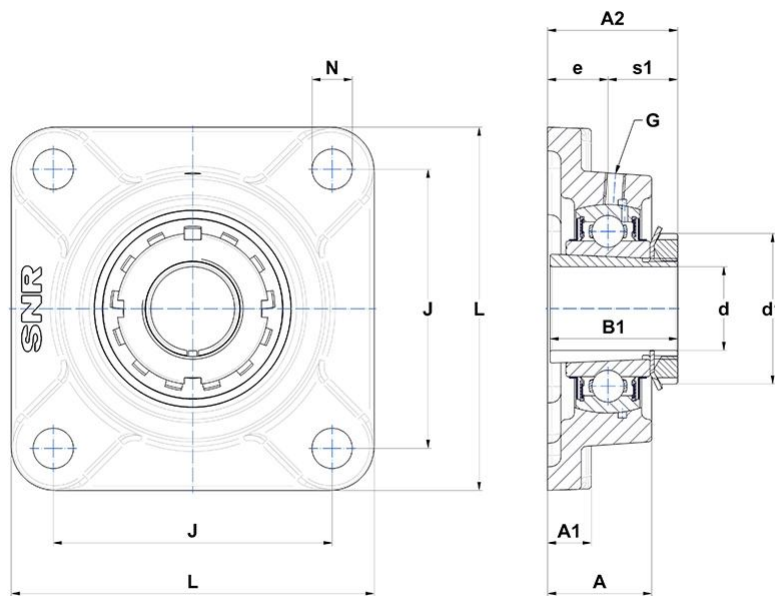


Grey cast housing, radial insert ball bearing with adapter sleeve, seal with slinger

KIT CONTENT

UK216G2H, F216

VISUAL (S)



PRODUCT DEFINITION

Brand	SNR
A - Housing height	57 mm
A1 - Housing foot height / flange height	22 mm
A2 - Total height from mounting surface	73 mm
B - Width of Inner Ring	44 mm
B1 - Overall width Inner Ring	78 mm



NTN Europe

1 rue des Usines · BP 2017 · 74010 Annecy Cedex · France · Tel. +33 (0)4 50 65 30 00
 S.A. au capital de 322 639 919 € · RCS ANNECY B 325 821 072 · Id. Fiscale : FR 48 325 821 072
 SIRET 325 821 072 00015 · Code APE 2815 Z · Code NACE 28.15

PRODUCT DEFINITION

d - Shaft diameter	70 mm
d1 - Outer dia of eccent. Lock. collar / nut of adapter sleeve	105 mm
e - Distance mounting surface to bearing center	34 mm
G - Grease fitting	M10x1
J - Mounting holes distance	165 mm
L - Housing width / diameter	208 mm
N - Mounting hole dimension	23 mm
s1 - Distance nut to middle of bearing raceway	39 mm

PRODUCT PERFORMANCE

C - Dynamic load rating	72500000 mN
C0 - Static load rating	54200000 mN
Operating temperature min.	253,15 °K
Operating temperature max.	373,15 °K

OTHER FEATURES

Mass	7,28 kg
Adapter sleeve designation	H2316

