



Main

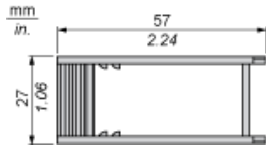
Commercial Status	Commercialised
Range of product	Zelio Relay
Accessory / separate part category	Mounting accessory
Accessory / separate part type	Maintaining clamp
Sale per indivisible quantity	10

Complementary

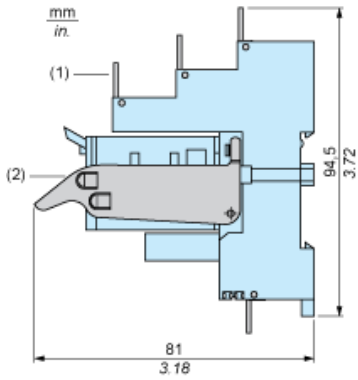
Accessory material	Plastic
Accessory / separate part destination	Zelio Relay RXM
Product compatibility	Socket RXZ (4 C/O) Socket RXZ (3 C/O) Socket RXZ (2 C/O)
Product weight	0.005 kg

The information provided in this documentation contains general descriptions and/or technical characteristics of the performance of the products contained herein. This documentation is not intended as a substitute for and is not to be used for determining suitability or reliability of these products for specific user applications. It is the duty of any such user or integrator to perform the appropriate and complete risk analysis, evaluation and testing of the products with respect to the relevant specific application or use thereof. Neither Schneider Electric Industries SAS nor any of its affiliates or subsidiaries shall be responsible or liable for misuse of the information contained herein.

Dimensions



Mounting on All Sockets (1)



- (1) Clip-in legends for all sockets except RXZE2M114
- (2) Plastic clamp