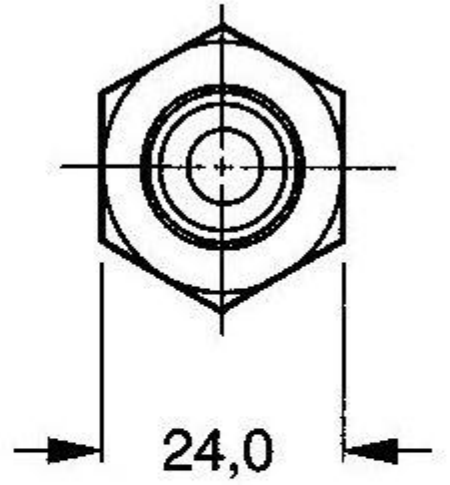
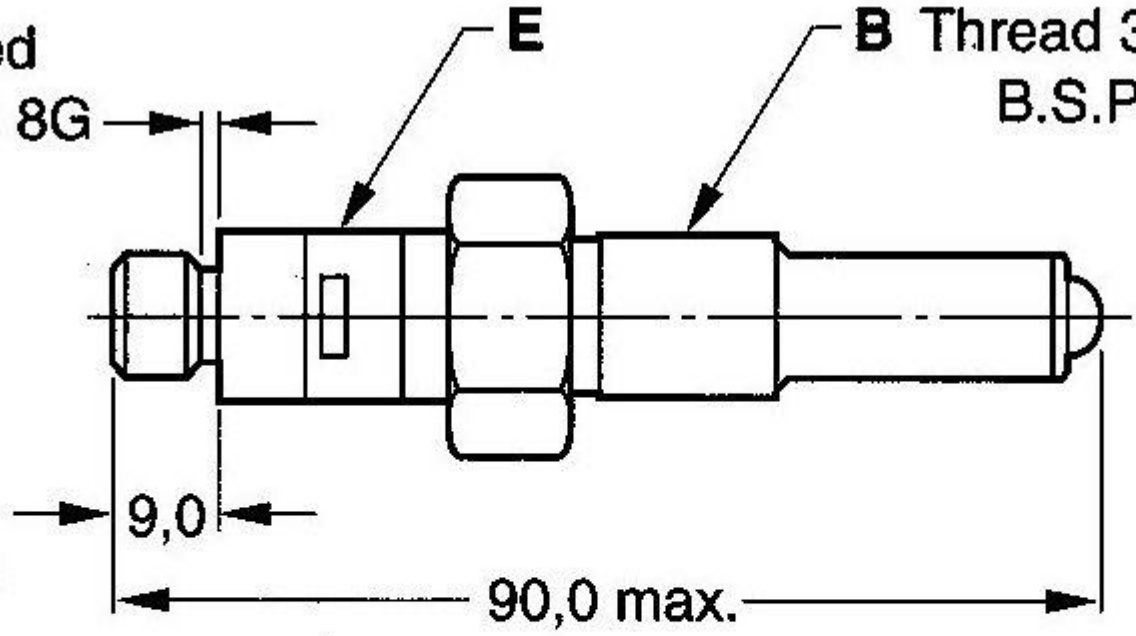


Threaded
M12 x 1 x 8G

E

B Thread 3/8"
B.S.P



Pin numbers

