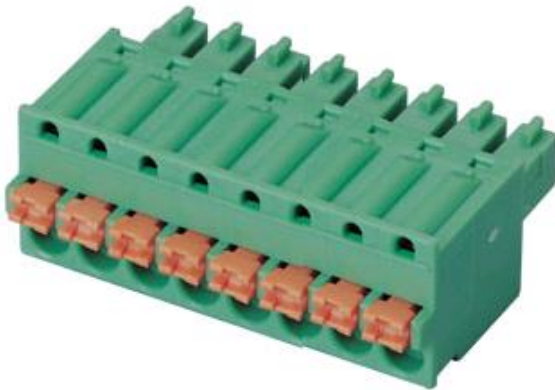


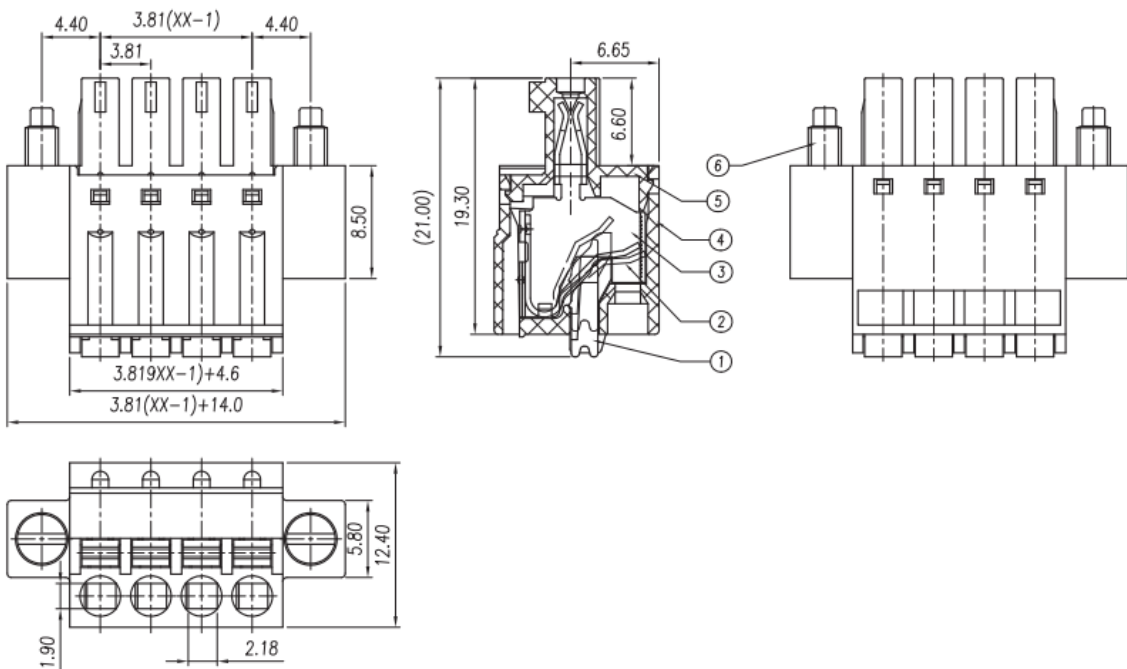
Datasheet

New 3.81 mm Plug with Flange 8A 8 Way

RS Stock 874-5149



Dimensions: (mm)





Specifications

ENGLISH

Mechanical

Steip Length	7-8mm
Temp.Range	-40°C~+105°C
Torque	0.4Nm(3.6Lb.in)

Dimensions

Pitch	3.81mm
Poles	2~24p

Material

Housing	PA66, UL94V-0
Screws	M2.5 Steel, Zn plated
Clamp	Phosphor bronze,Ni plated
Wire guard	Stainless steel

Standard	UL	IEC
Rated voltage	300V	250V
Rated current	8A	13.5A
Contact resistance	20mΩ	
Insulation resistance	500MΩ/DC500V	
Wire range	28~16AWG	1mm ²
Wrth standing voltage	AC 2000V/1 Min	