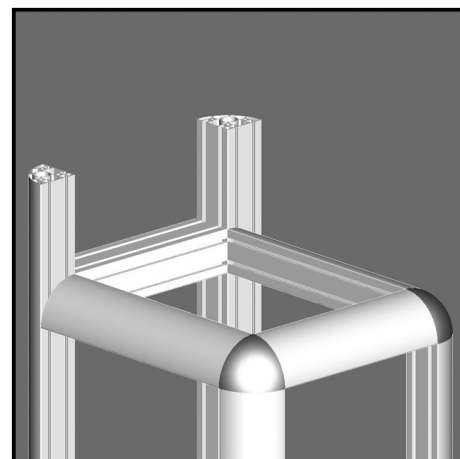
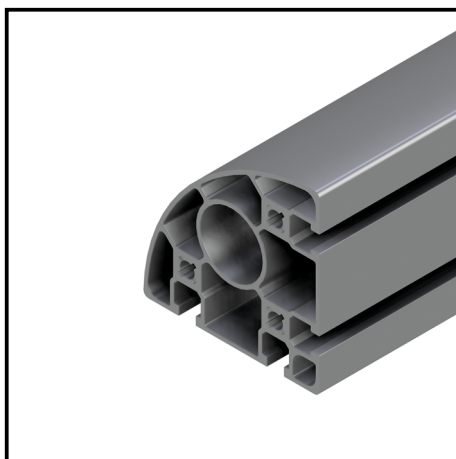
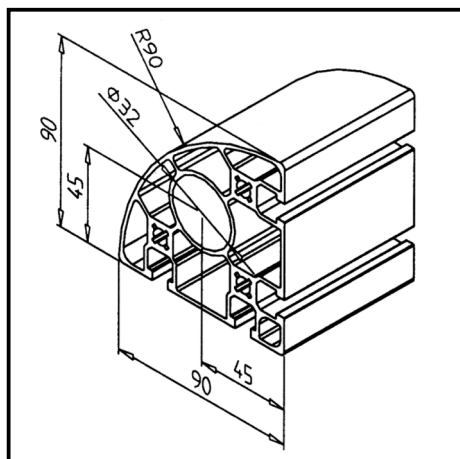


PROFILE 90 R 90°

Article Nr. 20.1091/0

See the product on the website →

Download CAD Files →



TECHN. DATA / ITEMS SUPPLIED

- Aluminium, extruded, anodized E6/EV1
- $I_x = 113.389 \text{ cm}^4$
- $I_y = 113.389 \text{ cm}^4$
- $w_x = 21.874 \text{ cm}^3$
- $w_y = 21.874 \text{ cm}^3$
- $IT = 378.600 \text{ cm}^4$
- Weight = 4.265 kg/m
- Packing unit = 12 m

APPLICATIONS

- Tables, frames
- All kinds of constructions

ASSEMBLY

- MiniTec power-lock fastener
- Angles
- Bolt connector
- End cap, **part no.** [22.0988/1](#)
- Connecting plate M10 - M20
- Corner Connection 90 R 90°