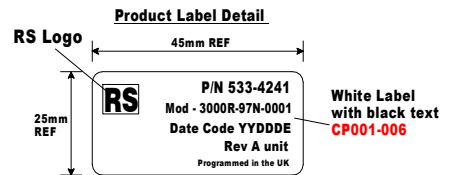
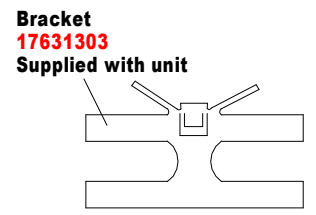
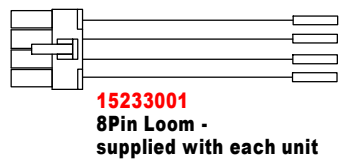


OPERATION
Start Up
FET Output - OFF
Back Lighting - OFF

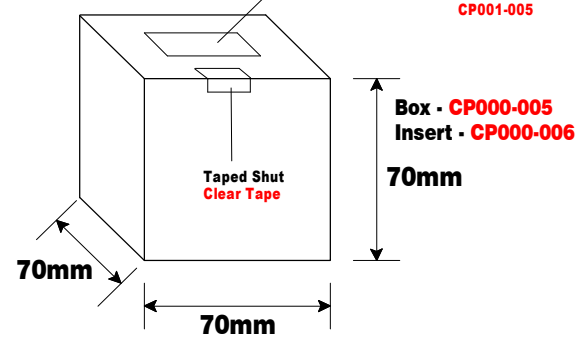
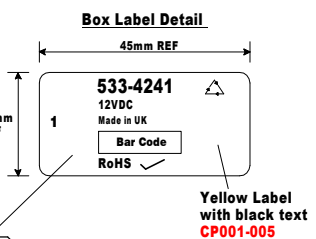
LH Button Option
 N/A

Set-up Menu
 N/A

Battery Symbol and Warning
LED flash
at 2nd LCD Segment < 12VDC
and
at 8th LCDsegment >15VDC



Gauges Supplied Single
Packed With a RS Voltmeter
Instruction Sheet



PROGRAMMING TOOL
REV C

Program Details
 Custom Firmware
hex file: n/a
Checksum: n/a
File name 18409523_A

IC1 Parameters
 S1_Enable = 1
 S1_Mode = M
 S1_Display = B
 S1_Disable_Display = 0
 S1_Display_Type = B
 S1_Threshold_01 = 8000,80
 S1_Threshold_02 = 10000,100
 S1_Threshold_03 = 12000,120
 S1_Threshold_04 = 12500,125
 S1_Threshold_05 = 13000,130
 S1_Threshold_06 = 13500,135
 S1_Threshold_07 = 14000,140
 S1_Threshold_08 = 14500,145
 S1_Threshold_09 = 15000,150
 S1_Threshold_10 = 16500,165
 S1_Threshold_11 = 18000,180

IC2 Sensor
 S2_Enable = 0

Supply Parameters
 SP_Enabled = 0

IC1 Parameters
 SP_Enabled = 0

Maintenance/Hourmeter/settable
 Hourmeter Parameters
 Maintenance_Enable = 0
 Hourmeter_Enable = 1
 Settable_Hourmeter_Enable = 0
 TOD_Enabled = 0
 Maintenance_Display = N
 Maintenance_Due = 200
 Historical_Numeric_Icons1 = H
 Historical_Numeric_Icons2 = N
 Maintenance_Numeric_Icons1 = N
 Maintenance_Numeric_Icons2 = N
 Maintenance_Bar_Icons1 = N
 Maintenance_Bar_Icons2 = N
 Maintenance_Due_Icons = N

Miscellaneous
 FET = C

ISSUE STATUS:		DRAWN BY	CHECK BY	APP'D BY	DATE:	MATERIAL:	Curtis Instruments (UK) Ltd. Title: Outline and Dimension for: Engage II 18409523 - RS Voltmeter Drg. No: 18409523-ASSY	
ISSUE: A	C/NOTE No: 18319	PD	DP	RF	18th August 2009	As stated		
ISSUE:	C/NOTE No:	>>>>>>> DO NOT SCALE <<<<<<<<				TOLERANCE: N/A		
ISSUE:	C/NOTE No:	DIMENSIONS		IMPERIAL	METRIC	PC No:		
ISSUE:	C/NOTE No:	5, Upper Priory Street, NORTHAMPTON NN1 2PT						
ISSUE:	C/NOTE No:	Tele: (01604) 629755. Fax: (01604) 629876.						

