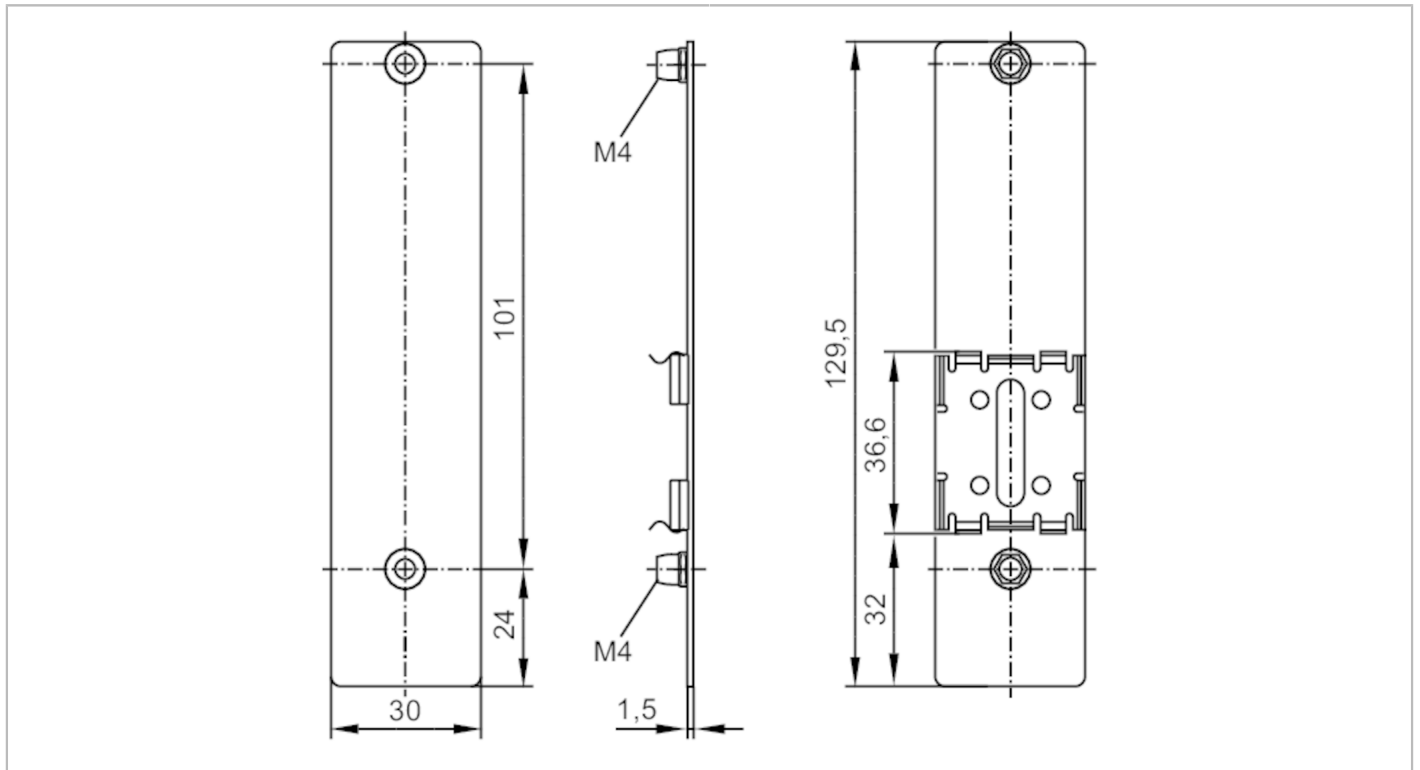


# E73007



## DIN rail adapter

mounting plate M8 long



Application	
Design	for Compact M8 modules
Mechanical data	
Weight [g]	58.9
Dimensions [mm]	129.5 x 1.5 x 30
Materials	Mounting plate: stainless steel (304/1.4301); DIN rail clip: stainless steel (301/1.4310); threaded bush: stainless steel (304CU/1.4567)
Accessories	
Accessories (optional)	Spring washer washer screw: 1 x M4 x 20
Remarks	
Pack quantity	1 pcs.