

M3 OR 4-40 TAPPED HOLES (2)  
TORQUE SCREWS 0.8 NEWTON METERS MAX

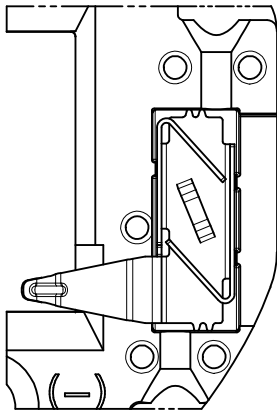
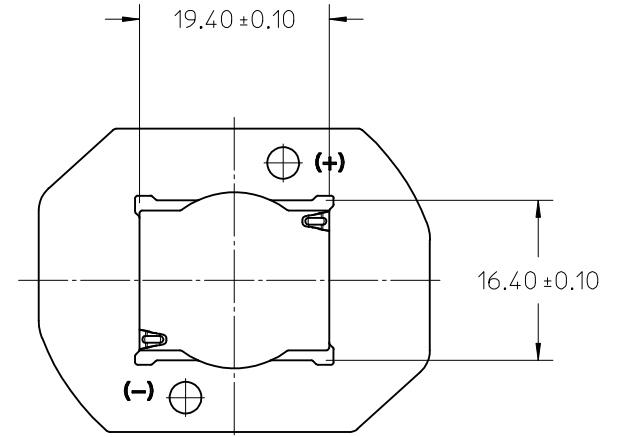
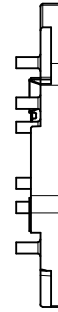
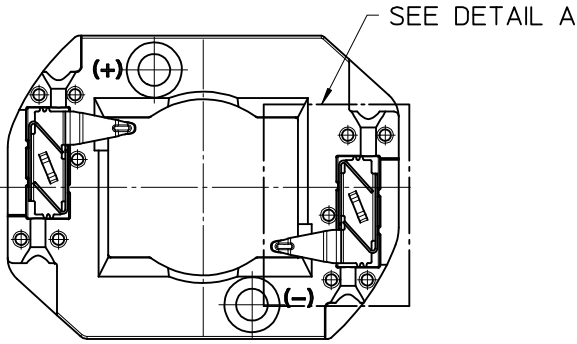
RECOMMENDED MOUNTING DIMENSIONS (NTS)

- 1) MATERIALS:
  - a. CAPS: NATURAL COLOR PA66 NYLON 25% GF UL94V-0
  - b. HOUSING: NATURAL COLOR PA66 NYLON 25% GF UL94V-0
- 2) WIRE TRAP TERMINALS: COPPER ALLOY
  - a. FINISH: GOLD OVER NICKEL
- 3) THIS PRODUCT IS ELV AND ROHS COMPLIANT
- 4) APPLICABLE WIRE GAUGE - 18 OR 20 AWG
  - a. SOLID WIRE IS RECOMMENDED
  - b. IF STRANDED WIRE IS USED, PRE-TINNED IS RECOMMENDED
  - c. 1 cm STRIP LENGTH IS RECOMMENDED
- 5) MOUNT HOLDER USING M3 OR 4-40 SCREWS (2), 0.8 NEWTON METERS MAX TORQUE
- 6) UL RECOGNITION TO UL496 - PENDING  
c-UL RECOGNITION TO CSA-C22.2 NO. 43 (2008) - PENDING  
RATED 600V  
UL FILE NUMBER: PENDING

RELEASED EC NO: SSL2013-0061 D/DRM/CCARRANZA 2012/11/15 CHKD: APPR:DMCGOWAN 2012/11/19 REV	QUALITY SYMBOLS	GENERAL TOLERANCES (UNLESS SPECIFIED)	DIMENSION STYLE <b>MM ONLY</b>	SCALE <b>2:1</b>	DESIGN UNITS <b>METRIC</b>	THIRD ANGLE PROJECTION
	▽=0	mm INCH	DRAWN BY DATE	TITLE		
	▽=0	4 PLACES ± --- ± ---	MDEVITO 2012/09/06	NICHIA L TYPE LED HOLDER HOLDER ASSEMBLY		
	▽=0	3 PLACES ± --- ± ---	CHECKED BY DATE			
	2 PLACES ± 0.13 ± ---	CCARRANZA 2012/09/06				
	1 PLACE ± 0.25 ± ---	APPROVED BY DATE	MATERIAL NO.	DOCUMENT NO.	SHEET NO.	
	0 PLACE ± --- ± ---	DMCGOWAN 2012/09/13	1805800001	SD-180580-001	1 OF 2	
ANGULAR ± 1/2° DRAFT WHERE APPLICABLE MUST REMAIN WITHIN DIMENSIONS			THIS DRAWING CONTAINS INFORMATION THAT IS PROPRIETARY TO MOLEX INCORPORATED AND SHOULD NOT BE USED WITHOUT WRITTEN PERMISSION			

10 9 8 7 6 5 4 3 2 1

NOTE: WIRE TRAP CAPS ARE REMOVED FOR CLARITY



DETAIL A  
Scale 4:1

VIEW OF TWO-WAY WIRE TRAP

WIRE TRAPS CAN ACCOMMODATE  
18 OR 20 GAUGE WIRE

RELEASED EC NO: SSL2013-0061 D/DRM: CCARRANZA 2012/11/15 CHKD: CCARRANZA APPR: DMCGOWAN 2012/11/19 REV	DESCRIPTION 2012/11/19	QUALITY SYMBOLS	GENERAL TOLERANCES (UNLESS SPECIFIED)		DIMENSION STYLE MM ONLY		SCALE 2:1	DESIGN UNITS METRIC	THIRD ANGLE PROJECTION	
		▽=0	mm	INCH	DRAWN BY MDEVITO	DATE 2012/09/06	TITLE NICHIA L TYPE LED HOLDER HOLDER ASSEMBLY	DOCUMENT NO. SD-180580-001	SHEET NO. 2 OF 2	THIS DRAWING CONTAINS INFORMATION THAT IS PROPRIETARY TO MOLEX INCORPORATED AND SHOULD NOT BE USED WITHOUT WRITTEN PERMISSION
		▽=0	4 PLACES ± --- ± ---	3 PLACES ± --- ± ---	CHECKED BY CCARRANZA	DATE 2012/09/06				
		▽=0	2 PLACES ± 0.13 ± ---	1 PLACE ± 0.25 ± ---	APPROVED BY DMCGOWAN	DATE 2012/09/13				
		▽=0	ANGULAR ± 1/2°		MATERIAL NO. 1805800001					
	DRAFT WHERE APPLICABLE MUST REMAIN WITHIN DIMENSIONS		SIZE B							

9 8 7 6 5 4 3 2 1