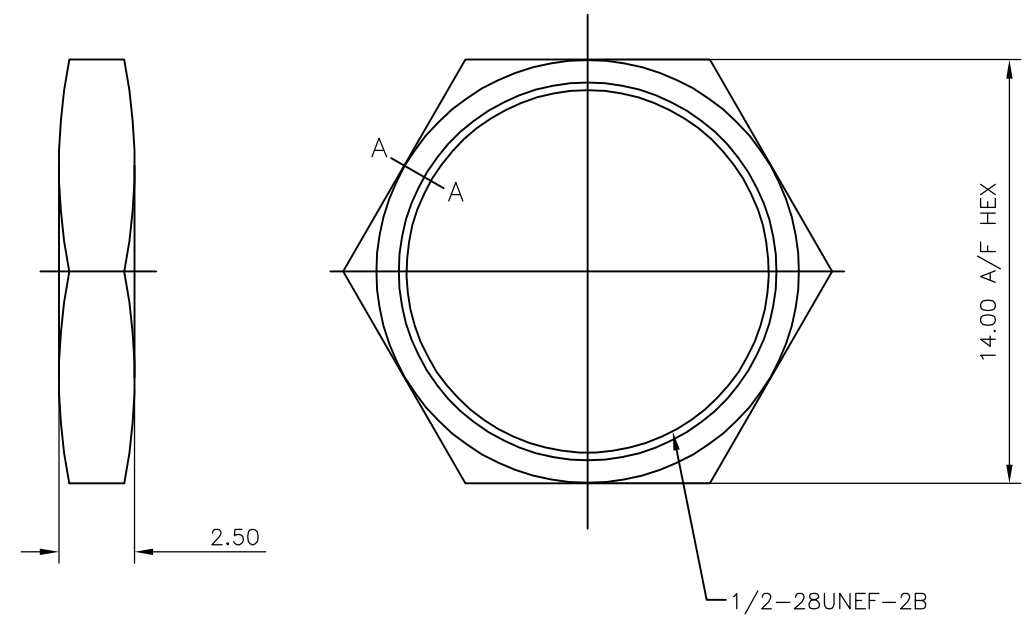
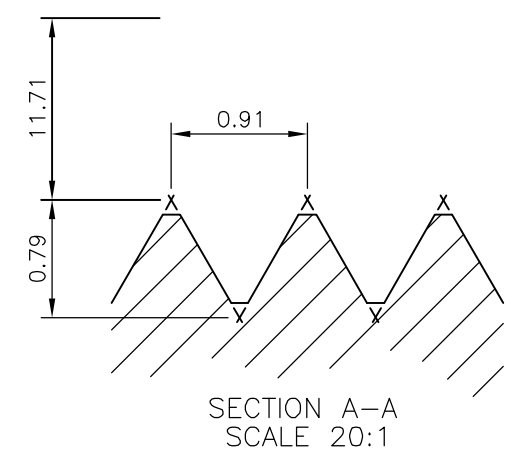


THIS DRAWING IS UNPUBLISHED. RELEASED FOR PUBLICATION JUNE , 2005.
 © COPYRIGHT 2005 BY TYCO ELECTRONICS CORPORATION. ALL RIGHTS RESERVED.

LOC	DIST	REVISIONS					
		P	LTR	DESCRIPTION	DATE	DWN	APVD
E	B		A	FIRST ISSUE	28JUN05	JS	FWK

- NOTES:
- ① SINGLE PACK IN ACCORDANCE WITH AMP SPEC 107-3275
 - ② Ni PLATING OVER Cu PLATING
 - 3 FOR TECHNICAL DATA REFER TO YOUR LOCAL TYCO ELECTRONICS SALES OFFICE
 - 4. ALL DIMENSIONS ARE NOMINAL FOR REFERENCE ONLY UNLESS OTHERWISE STATED



1	BRASS	②	HEXAGONAL NUT
1--0	MATERIAL		DESCRIPTION
①	PARTS LIST		

THIS DRAWING IS A CONTROLLED DOCUMENT.		DWN J.SANDWELL 08JAN04												
DIMENSIONS: MM		CHK S.PARLOW 28JUN05												
TOLERANCES UNLESS OTHERWISE SPECIFIED:		APVD F.WHEELER-KING 28JUN05												
<table border="0"> <tr><td>0 PLC</td><td>± -</td></tr> <tr><td>1 PLC</td><td>± -</td></tr> <tr><td>2 PLC</td><td>± -</td></tr> <tr><td>3 PLC</td><td>± -</td></tr> <tr><td>4 PLC</td><td>± -</td></tr> <tr><td>ANGLES</td><td>± -</td></tr> </table>		0 PLC	± -	1 PLC	± -	2 PLC	± -	3 PLC	± -	4 PLC	± -	ANGLES	± -	PRODUCT SPEC -
0 PLC	± -													
1 PLC	± -													
2 PLC	± -													
3 PLC	± -													
4 PLC	± -													
ANGLES	± -													
MATERIAL SEE TABLE	FINISH SEE TABLE	APPLICATION SPEC -												
		WEIGHT -												

Tyco Electronics Corporation Bideford, UK, EX39 4HE		NAME BNC/TNC HEXAGONAL NUT	
SIZE A3	CAGE CODE 00779	DRAWING NO C-1634816	RESTRICTED TO -
CUSTOMER DRAWING		SCALE NTS	SHEET 1 OF 1
		REV A	