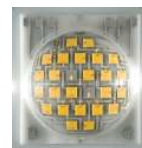


Tyra reflector series for Cree MPL series of LEDs



- Specially designed for XLamp MP-L EasyWhite series of LEDs.
- Special design care taken to make a uniform visually pleasing illumination.
- Compact dimensions and easy mounting to TYCO solderless LED socket using location pins.
- Reflector is made of aluminum coated PC (120°C/248F) with protective laquer (110°C/230F)

Read more about TYCO Solderless LED socket from here:

http://www.tycoelectronics.com/commerce/DocumentDelivery/DDEController?Action=srchtrv&DocNm=5-1773457-1_SOLDERLESS_LED_SOCKET&DocType=DS&DocLang=&s_cid=1046

LENS TYPE

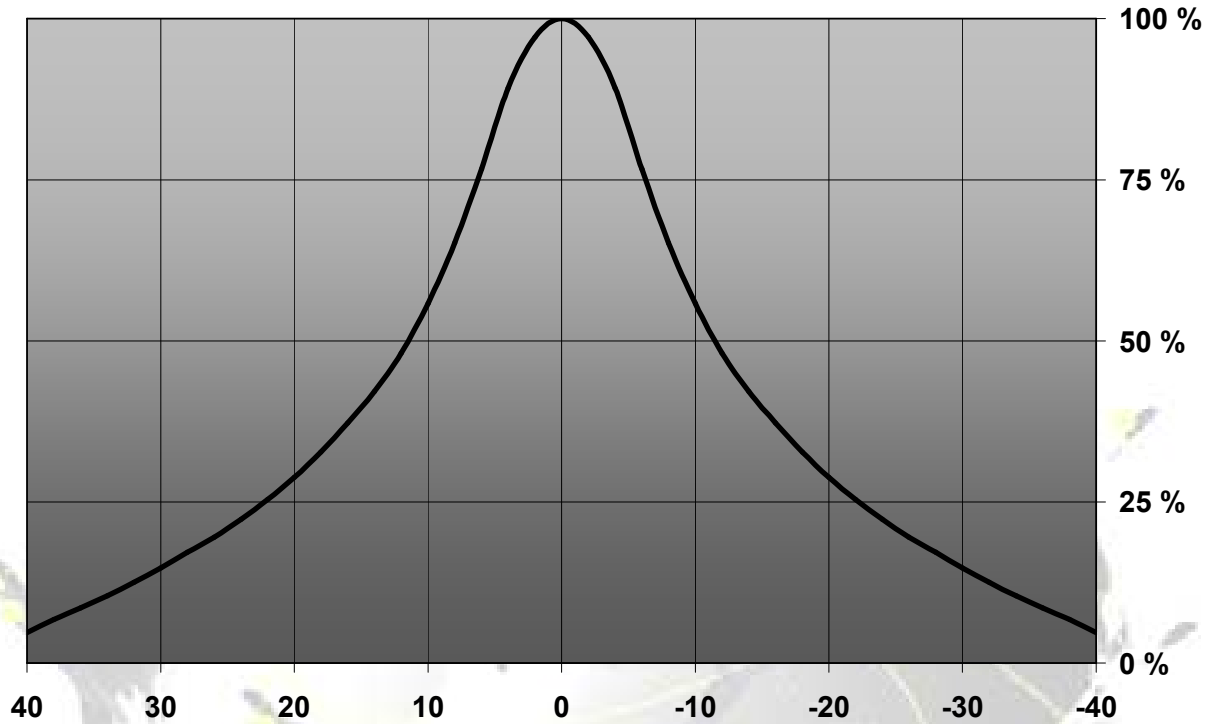
NAME	ORDERING CODE	FWHM Angle
Tyra Spot	C11394_Tyra-S	±10°
Tyra Medium	C11395_Tyra-M	±16°
Tyra Wide	C11396_Tyra-W	±26°

EULUMDAT & IES FILES AVAILABLE BY REQUEST

© Ledil Oy – PRELIMINARY - Subject to change without prior notice

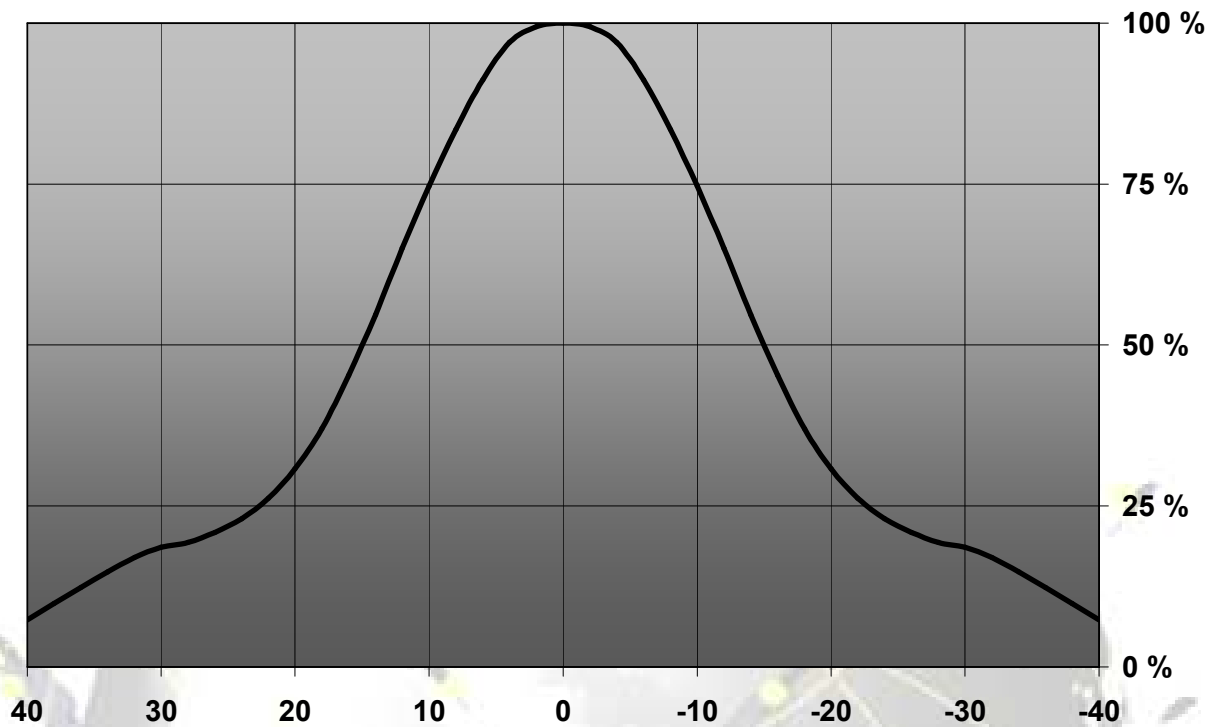
MEASUREMENTS

Relative Intensity of C11394_Tyra-S



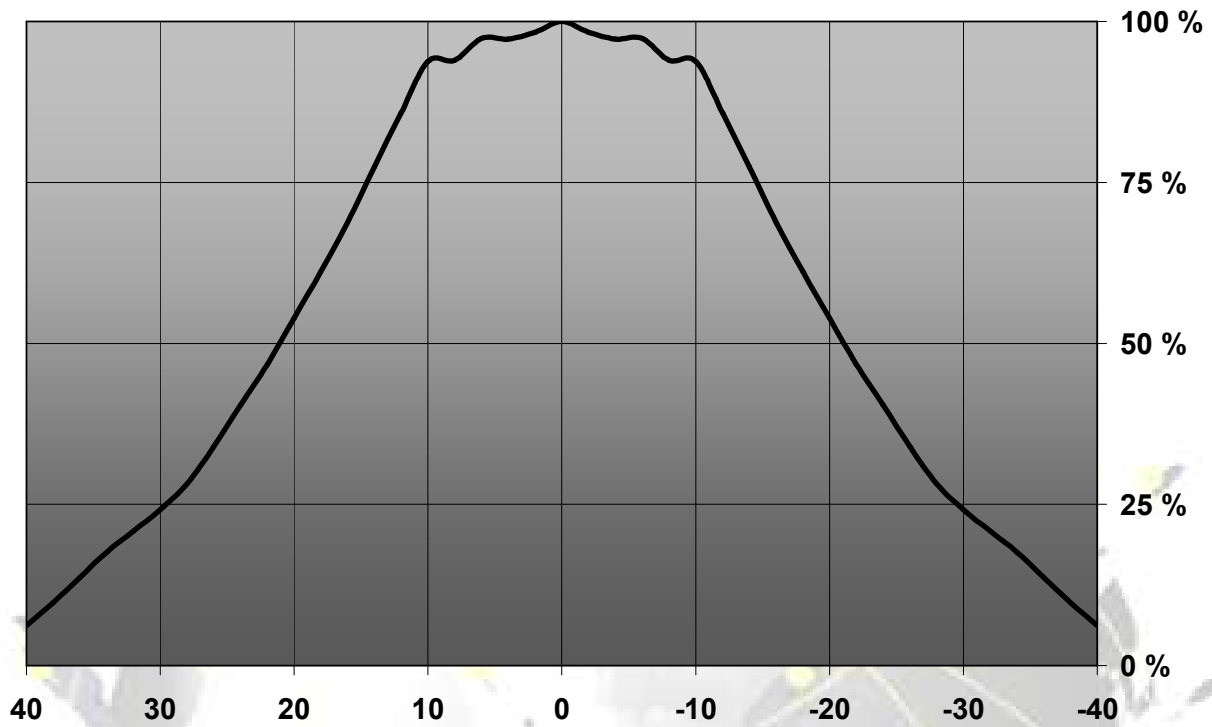
© Ledil Oy – PRELIMINARY - Subject to change without prior notice

Relative Intensity of C11395_Tyra-M



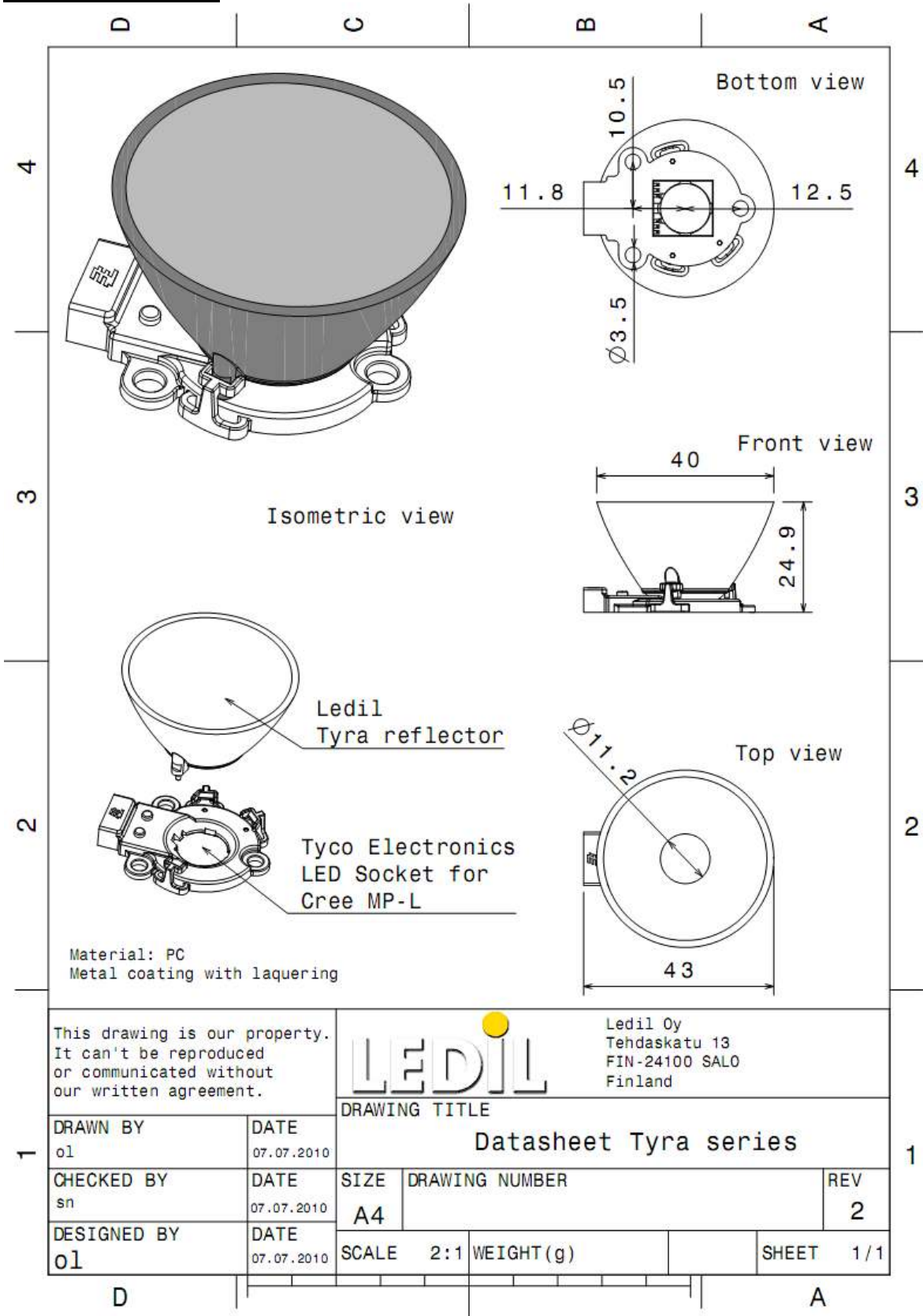
© Ledil Oy – PRELIMINARY - Subject to change without prior notice

Relative Intensity of C11396_Tyra-W



© Ledil Oy – PRELIMINARY - Subject to change without prior notice

DRAWINGS



© Ledil Oy – PRELIMINARY - Subject to change without prior notice