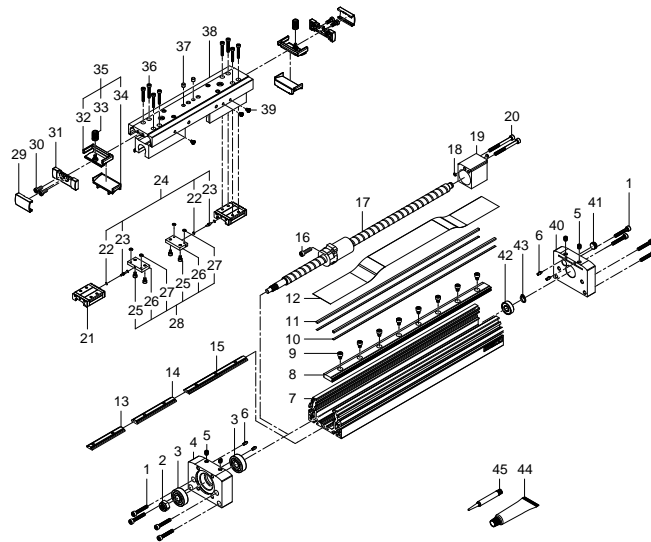


8041821 ELGA-BS-KF-70-600-0H-10P-ML Ball screw axis - Series: All



8041821 ELGA-BS-KF-70-600-0H-10P-ML Ball screw axis - Series: All

Pos.	Part no.	Type	Note	Qty.	Unit
A	739506	EGC/ELGA-70-BS ET Bearing module	Spare parts: 2, 3, 18, 42, 43, 45	1	PC
1		ISO 14579-M4X25-10.9 Socket head screw	Not available Tightening torque 2.5 Nm / 1.8 lbf ft Use locking compound. See position 45	8	PC
2	349321	DIN 985-M8X1-8 Hex nut		1	PC
3		D625-629-2RS Deep groove ball bearing	Not available separately, see position A	2	PC
4	2788064	ELGA-BS-KF-70 clevis foot		1	PC
5	204481	ISO 4026-M5X6-45H Threaded pin	Tightening torque 2 Nm / 1.5 lbf ft	4	PC
6	686822	DGSL-6-PJ Buffer element		4	PC
7		ELGA-BS-KF-70 Cylinder barrel	Not available	1	PC
8		ELGA-BS-KF-70 Roller track	Not available	1	PC
9		M4X6,5-10.9 Socket head screw	Not available	1	PC
10	4171246	ELGA-TB-KF Adhesive tape		25	M
11	8040752	2X3X10000 Magnetic tape	Attention! Length 10 meter	1	PC
12	8040788	ELGA-YA-BS-KF-70- - Cover strip	When ordering please specify the configuration (see type plate)	1	PC
13	652565	DGEA- 18-....-ZR Slot nut		2	PC
14	652564	DGEA- 18-....-ZR Slot nut		1	PC
15	652563	DGEA- 18-....-ZR Slot nut		1	PC
16	200664	ISO 4762-M4X16-8.8 Socket head screw	Tightening torque 2.5 Nm / 1.8 lbf ft Use locking compound. See position 45	1	PC
17	8040718	ELGA-YB-BS-KF-70- - Spindle module	When ordering please specify the configuration (see type plate)	1	PC
18	711161	3X1-N-NBR70 O-ring		2	PC
19	2631353	ELGA-BS-KF-70 Retainer		1	PC
20	206300	ISO 4762-M4X45-8.8 Socket head screw	Tightening torque 2.5 Nm / 1.8 lbf ft Use locking compound. See position 45	2	PC
21	716519	EGC-70-KF-GK/GV Roller carriage	Attention! It is essential that the information in the repair manual be closely observed! Grease using during assembly. See position 44	1	PC
22	200900	B-1,5X1-N-NBR70 O-ring ISO3601		4	PC
23		ELGA-TB-KF-70/80 Oil duct	Not available separately, see position 24	2	PC
24	8049975	ELGA-...-KF-70/80 Oil duct		1	PC
25		ISO 4762-M3X5-8.8 Socket head screw	Not available separately, see position 28 Tightening torque 1.5 Nm / 1.1 lbf ft	4	PC

Pos.	Part no.	Type	Note	Qty.	Unit
26		ELGA-BS-KF-70 Lubricating head	Not available separately, see position 28	2	PC
27		3X1-N-NBR70 O-ring	Not available separately, see position 28	4	PC
28	8049976	ELGA-...-KF-70 Lubricating head module		1	PC
29	1207834	ELGA-TB-G-70 Clip		2	PC
30	693650	DIN 6912-M4X6-A2-70 Socket head screw	Tightening torque 1.2 Nm / 0.9 lbf ft Use locking compound. See position 45	4	PC
31	1207833	ELGA-TB-G-70 Cover		2	PC
32		ELGA-TB-G-70 Belt reversal	Not available separately, see position 35	2	PC
33		VADM-... Compression spring	Not available separately, see position 35	2	PC
34		ELGA-TB-G-70 Belt reversal	Not available separately, see position 35	2	PC
35	1202717	ELGA-TB-G-70 Belt reversal		2	PC
36	709072	ISO 4762-M3X20-10.9 Socket head screw	Tightening torque 1.5 Nm / 1.1 lbf ft Use locking compound. See position 45	8	PC
37	150928	ZBS-5 Centring pin		2	PC
38	2838570	ELGA-BS-KF-70 Slide module	No longer available. Please order from product series K1 the components with position nos. 35+36+37. Grease using during assembly. See position 44	1	PC
39		D1 M3 Lubrication nipple	Not available Tightening torque 0.5 Nm / 0.4 lbf ft	3	PC
40	2788062	ELGA-BS-KF-70 Bearing cap		1	PC
41		G1/8-AL-SA Sealing plug	Not available	1	PC
42		D616-698-2RS Deep groove ball bearing	Not available separately, see position A	1	PC
43	200617	DIN 471-8X0,8 Retaining ring		1	PC
44	684474	LUB-KC1 SILIKONFREI 20ML Lubricating grease		1	PC
45	8181256	CYBERBOND TM44 TB1ML Adhesive bonding agent		1	PC