



GOLD

Introduction:

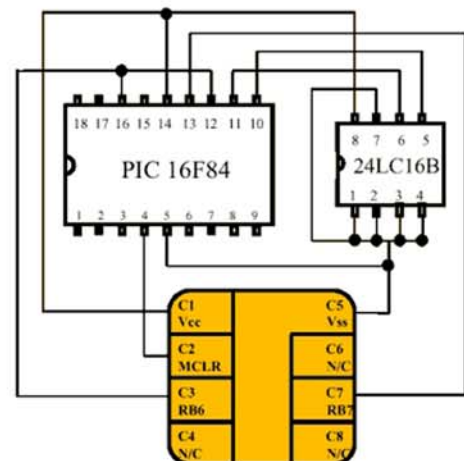
Microcontrôleur smartcard with i2C serial EEPROM
 Manufacturer : MICROCHIP
 Reference : PIC16F84A + 24LC16B
 Blank smartcard without programs to makes prototype.
 Serial programming only..
 Read / Write mode : see datasheet of MICROCHIP.

Features:

Power supply : 2,7V à 5,5V.
 Absolute maximum power : -1,0V à +6,0V.
 Flash memory : 1024 words of 14bits
 SRAM internal : 68 bytes of 8 bits
 EEPROM internal : 64 bytes of 8 bits
 EEPROM external1 : 2048 bytes of 8 bits
 Max frequency : 4MHz
 Erase / Write cycles : ~1.000.000 time minimum.
 Data retention : 10 years minimum.
 Température : 0°C to +70°C.
 Dimensions : 85 x 53 x 1 mm.
 Weight : 10g.

Contact connections:

C1 : Vcc : alimentation
 C2 : MCLR : VPP 13V (input)
 C3 : RB6 : Clock (input)
 C4 : No connection
 C5 : Vss : masse
 C6 : No connection
 C7 : RB7 : Data (input/output)
 C8 : No connection



Include:

Smartcard under plastic.