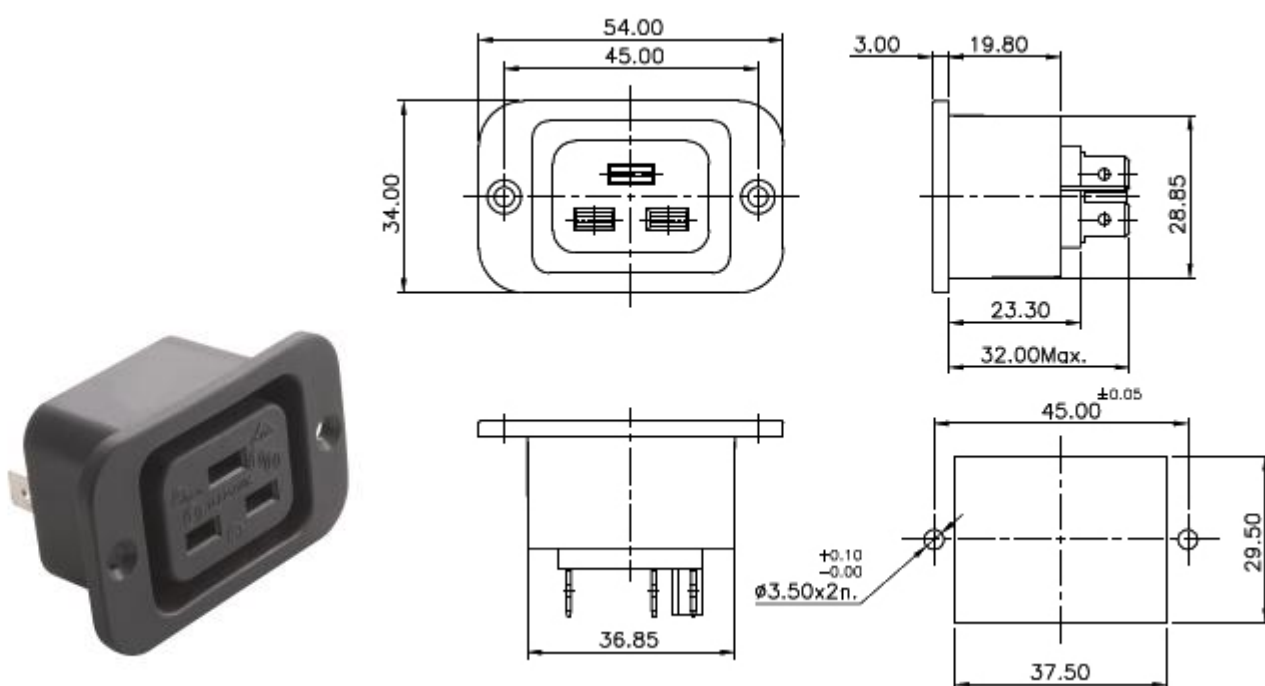


Datasheet

C19 Female Straight Panel Mount IEC Connector, Solder/Faston Termination, Rated At 20A, 250 V ac

RS Stock number [776-9144](#)



Specification

V / A Rating: 16 Amps (VDE), 20 Amps (UL,C-US) 250 VAC

Panel Thickness: NA

Reference Standards: IEC - 60320 - 1

Material (Contacts - Terminal): Copper Alloy, Tin Plating

Material (Body, Cable Lock): Nylon-6, GF20% V-2

Permissible Temp. (For Soldering)): 270°C for 5 Sec. max

Permissible Temp. (With / Without Load): 0 to 70°C

Terminals: Solder type or fast-on 6.3 X 0.8

Mounting: Panel, Screw Type

H.V. Breakdown Test (for 1 Minute): 2 KV AC

Insulation Resistance @ 500 VDC: 1000 mohms Min.

Contact Resistance (Initial): 10 mohms Max.