



Brand of NTN Group

Technical data

UCF208NL3

Bearing units

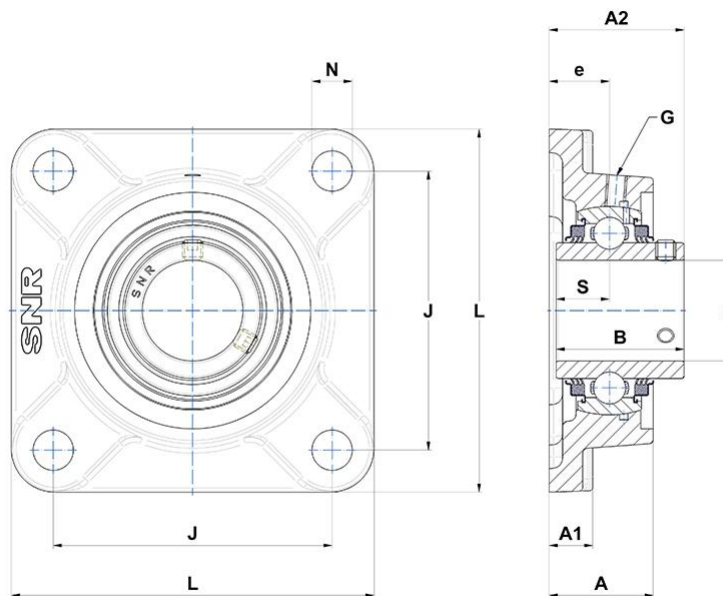


Grey cast housing, radial insert ball bearing with socket set screws, triple lip seal

KIT CONTENT

UC208G2L3, F208N

VISUAL (S)



PRODUCT DEFINITION

Brand	SNR
A - Housing height	36 mm
A1 - Housing foot height / flange height	15 mm
A2 - Total height from mounting surface	51,2 mm
B - Width of Inner Ring	49,2 mm
d - Shaft diameter	40 mm



NTN Europe

1 rue des Usines · BP 2017 · 74010 Annecy Cedex · France · Tel. +33 (0)4 50 65 30 00
 S.A. au capital de 322 639 919 € · RCS ANNECY B 325 821 072 · Id. Fiscale : FR 48 325 821 072
 SIRET 325 821 072 00015 · Code APE 2815 Z · Code NACE 28.15

PRODUCT DEFINITION

e - Distance mounting surface to bearing center	21 mm
G - Grease fitting	M6x1
J - Mounting holes distance	102 mm
L - Housing width / diameter	130 mm
N - Mounting hole dimension	16 mm
S - Distance front side/bearing centre	19 mm

PRODUCT PERFORMANCE

C - Dynamic load rating	29600000 mN
C0 - Static load rating	18200000 mN
Operating temperature min.	253,15 °K
Operating temperature max.	373,15 °K

OTHER FEATURES

Mass	1,87 kg
Recommended tightening torque for set screw	11.5 N-m

