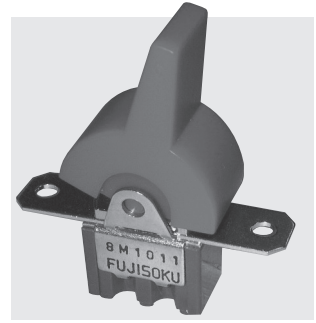


8M

Small Lever & Rocker Switches

UL CSA

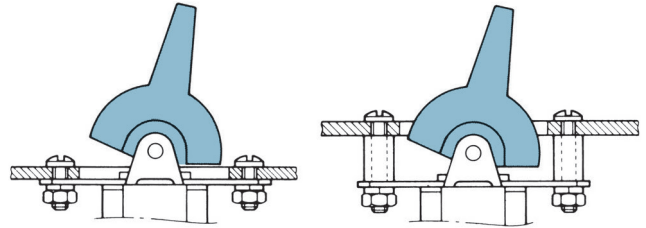
RoHS Compliant



■ Features

The **8M** Small Lever & Rocker Switch is similar to the **8A** type except that 8M type has a mounting plate. Levers and rockers are available in four matted colors that give a sober atmosphere. Choose the suitable one for the panel design. For the mounting method, see the following figure.

■ Mounting Method



■ Standard Accessories

《Supplied separately》

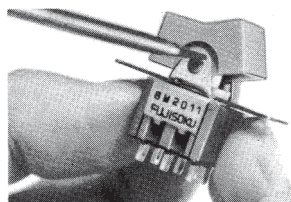
Part name	Lever	Rocker	Lever	Rocker
Dimensions				
White	140000050427	140000480509	140000050929	140000481531
Red	140000050428	140000480510	140000050930	140000481532
Black	140000050429	140000480511	140000050931	140000481533
Gray	140000050450	140000480522	140000050932	140000481534
Panel Cut-Out Dimensions				

● Specify either one of Lever or Rocker in part number when placing an order.

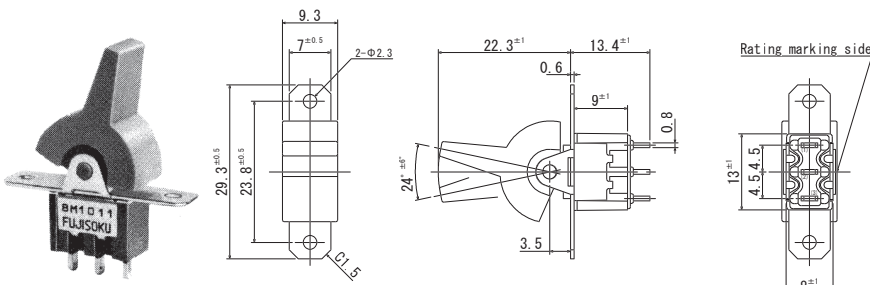
■ Mounting the Lever & Rocker

Press the selvage part of the lever/rocker with a screwdriver to fix it.

Some products in the Table of UL and CSA-Approved Products are not registered yet. Before placing the order, check with our Sales Department.



SPDT

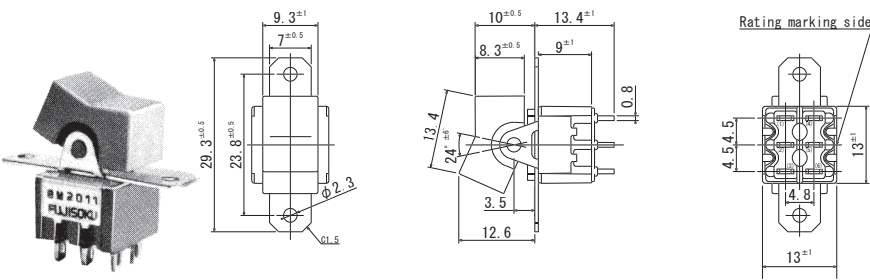


Mount with **Lever**

Terminal numbers are not shown on the bottom of the switch.

Switching function	Viewed from rating marking side		
Part No.			
8M1011-Z	ON	—	ON
▲8M1011C-Z	ON	—	ON
★8M1021-Z	ON	OFF	ON
▲8M1021C-Z	ON	OFF	ON
★8M1041-Z	(ON)	OFF	(ON)
▲8M1051-Z	ON	OFF	(ON)
★8M1061-Z	ON	—	(ON)
Connecting terminals	2-3	—	2-1

DPDT

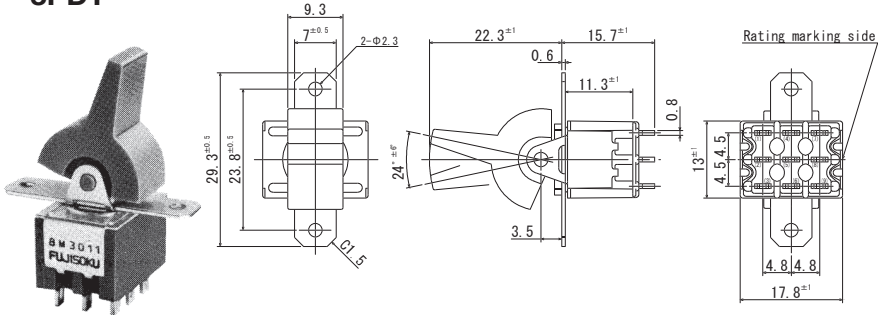


Mount with **Rocker**

Terminal numbers are not shown on the bottom of the switch.

Switching function	Viewed from rating marking side		
Part No.			
8M2011-Z	ON	—	ON
▲8M2011C-Z	ON	—	ON
★8M2021-Z	ON	OFF	ON
▲8M2021C-Z	ON	OFF	ON
★8M2041-Z	(ON)	OFF	(ON)
★8M2051-Z	ON	OFF	(ON)
▲8M2061-Z	ON	—	(ON)
Connecting terminals	2-3 5-6	—	2-1 5-4

3PDT

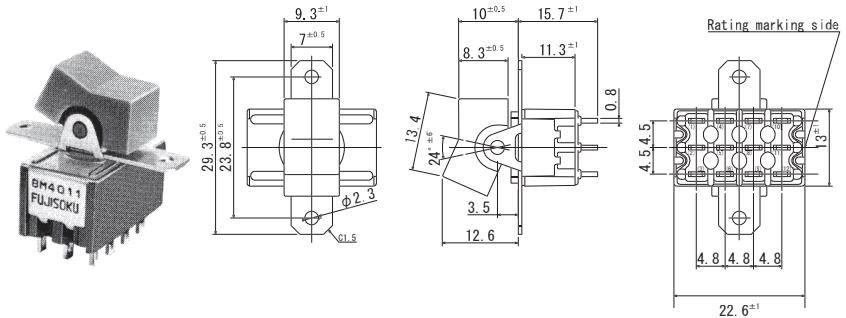


Mount with **Lever**

Terminal numbers are not shown on the bottom of the switch.

Switching function	Viewed from rating marking side		
Part No.			
☆8M3011-Z	ON	—	ON
★8M3021-Z	ON	OFF	ON
Connecting terminals	2-3 5-6 8-9	—	2-1 5-4 8-7

4PDT



Mount with **Rocker**

Terminal numbers are not shown on the bottom of the switch.

Switching function	Viewed from rating marking side		
Part No.			
☆8M4011-Z	ON	—	ON
★8M4021-Z	ON	OFF	ON
Connecting terminals	2-3 8-9	5-6 11-12	2-3 5-4 8-7 11-10