



Brand of NTN Group

## Technical data

### UCF214L3

Bearing units

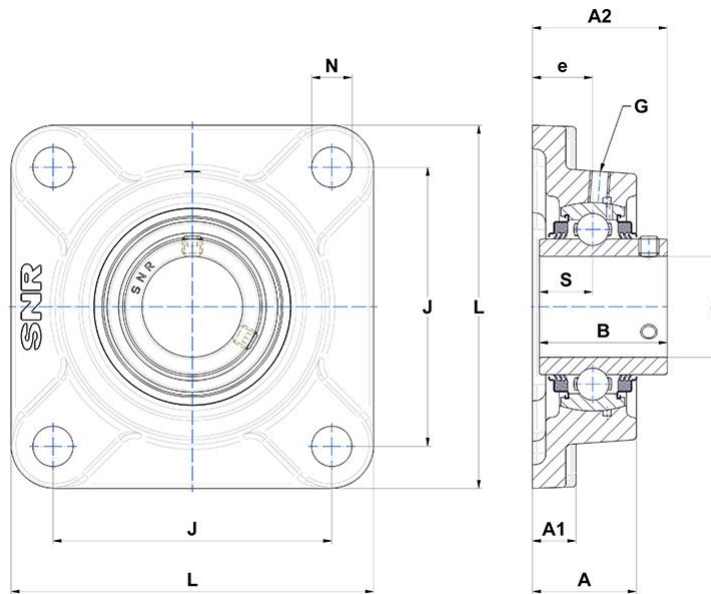


Grey cast housing, radial insert ball bearing with socket set screws, triple lip seal

### KIT CONTENT

UC214G2L3, F214

### VISUAL (S)



### PRODUCT DEFINITION

<b>Brand</b>	SNR
<b>A - Housing height</b>	54 mm
<b>A1 - Housing foot height / flange height</b>	22 mm
<b>A2 - Total height from mounting surface</b>	75,4 mm
<b>B - Width of Inner Ring</b>	74,6 mm
<b>d - Shaft diameter</b>	70 mm



**NTN Europe**

1 rue des Usines · BP 2017 · 74010 Annecy Cedex · France · Tel. +33 (0)4 50 65 30 00  
 S.A. au capital de 322 639 919 € · RCS ANNECY B 325 821 072 · Id. Fiscale : FR 48 325 821 072  
 SIRET 325 821 072 00015 · Code APE 2815 Z · Code NACE 28.15

### PRODUCT DEFINITION

<b>e - Distance mounting surface to bearing center</b>	31 mm
<b>G - Grease fitting</b>	M10x1
<b>J - Mounting holes distance</b>	152 mm
<b>L - Housing width / diameter</b>	193 mm
<b>N - Mounting hole dimension</b>	19 mm
<b>S - Distance front side/bearing centre</b>	30,2 mm

### PRODUCT PERFORMANCE

<b>C - Dynamic load rating</b>	62000000 mN
<b>C0 - Static load rating</b>	45000000 mN
<b>Operating temperature min.</b>	253,15 °K
<b>Operating temperature max.</b>	373,15 °K

### OTHER FEATURES

<b>Mass</b>	6,21 kg
<b>Recommended tightening torque for set screw</b>	33 N-m

