

Datasheet

RS PRO Call Point Resettable with Sounder and LED

Stock No: 192-4550



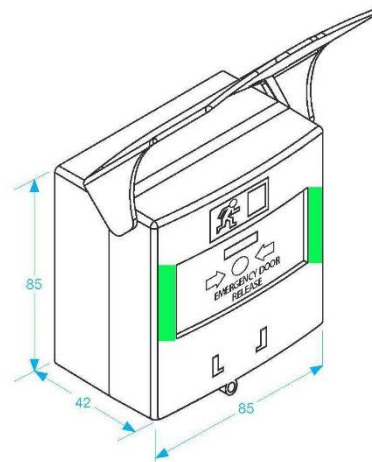
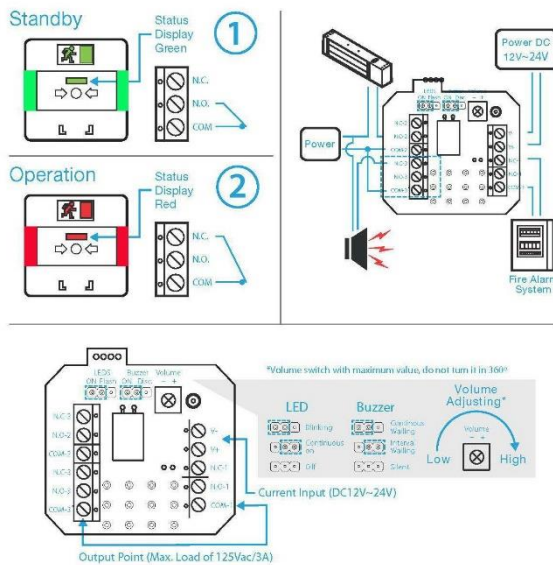
Technical Specifications:

85mm x 85mm x 55mm	12~24VDC
Surface Mount	LED Indictaor
Adjustable Sounder	Triple Pole
Resettable	

Features & Benefits:

- Operating voltage 12~24Vdc
- Green plastic
- Resettable
- Adjustable sounder
- Adjustable LED
- Triple pole

Dimensional line drawings



Quality Standards:

CE

ROHS