

Sensor/actuator box - SACB-4/ 3-L-M12 M5 - 1530760

Please be informed that the data shown in this PDF Document is generated from our Online Catalog. Please find the complete data in the user's documentation. Our General Terms of Use for Downloads are valid (<http://phoenixcontact.com/download>)




Sensor/actuator box, Application: Standard, Connection method: M5 socket Metal, Number of slots: 4, Number of positions: 3, Slot assignment: Single, Status indication: Yes, pnp; Master cable connection: M12 plug connection 90°, Shielding: No

Why buy this product

- Safety in the field, thanks to molded housing and high degree of protection
- Flexible, distributed bundling of signals in one master cable
- Convenient: increased machine availability thanks to quick and easy diagnostics



Key commercial data

Packing unit	1 pc
GTIN	 4 017918 993504
Weight per Piece (excluding packing)	44.1 g
Custom tariff number	85366990
Country of origin	Germany

Technical data

General

Rated voltage	24 V DC
Max. operating voltage U_{max}	30 V DC
Current carrying capacity per I/O signal	1 A
Current carrying capacity per slot	1 A
Total rated current	3 A
Number of positions	3
Number of slots	4
Inflammability class according to UL 94	V0
Sensor/actuator connection system	M5 socket

Ambient conditions

Degree of protection	IP67
Ambient temperature (operation)	-25 °C ... 80 °C

Sensor/actuator box - SACB-4/ 3-L-M12 M5 - 1530760

Technical data

Local diagnostics function

Local diagnostics	Supply voltage Green LED
	Status display I/O Yellow LED

Master cable data/connection data

Connection method	M12 plug connection
-------------------	---------------------

Insulation material

Housing material	PA-GF
Contact material	CuZn
Contact surface material	Ni/Au
Material of threaded sleeve	Cu alloy
Material of threaded sleeve surface	Nickel-plated

Pin assignment

Slot/position = Wire color or connection	1 / 4 (A) = 3
	2 / 4 (A) = 4
	3 / 4 (A) = 6
	4 / 4 (A) = 8
	1-4 / 1 (+ 24 V) = 1
	1-4 / 3 (0 V) = 2

Classifications

eCl@ss

eCl@ss 4.0	27140815
eCl@ss 4.1	27140815
eCl@ss 5.0	27143423
eCl@ss 5.1	27143423
eCl@ss 6.0	27143423
eCl@ss 7.0	27449001
eCl@ss 8.0	27279219

ETIM

ETIM 2.0	EC000200
ETIM 3.0	EC001856
ETIM 4.0	EC002585
ETIM 5.0	EC002585

UNSPSC

UNSPSC 6.01	31261501
UNSPSC 7.0901	31261501
UNSPSC 11	31261501
UNSPSC 12.01	31261501

Sensor/actuator box - SACB-4/ 3-L-M12 M5 - 1530760

Classifications

UNSPSC

UNSPSC 13.2	31261501
-------------	----------

Approvals

Approvals

Approvals

EAC

Ex Approvals

Approvals submitted

Approval details

EAC

Accessories

Accessories

Master cable, assembled

Master cable - SAC-12P- 5,0-PUR/M12FS MC - 1530786



Master cable, 12-position, PUR/PVC, Black RAL 9005, free cable end, on Socket straight M12, A-coded, Cable length: 5 m

Master cable - SAC-12P-10,0-PUR/M12FS MC - 1530799



Master cable, 12-position, PUR/PVC, Black RAL 9005, free cable end, on Socket straight M12, A-coded, Cable length: 10 m

Protective cap

Sensor/actuator box - SACB-4/ 3-L-M12 M5 - 1530760

Accessories

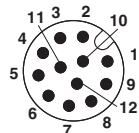
Screw plug - PROT-M5 - 1533288



An M5 screw plug for the unoccupied M5 sockets of the sensor/actuator cable, boxes and flush-type connectors

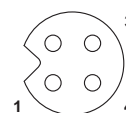
Drawings

Schematic diagram



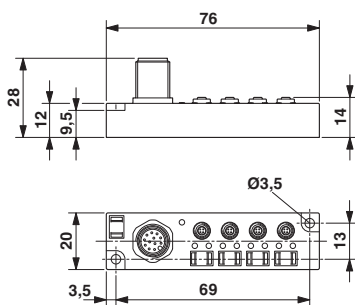
M12 plug connection pin, 12-pos.

Schematic diagram



M5 slot, socket, 3-pos.

Dimensioned drawing



Circuit diagram

