

Customer Information Sheet

DRAWING No.: M20-997XXXX

SHEET 2 OF 2

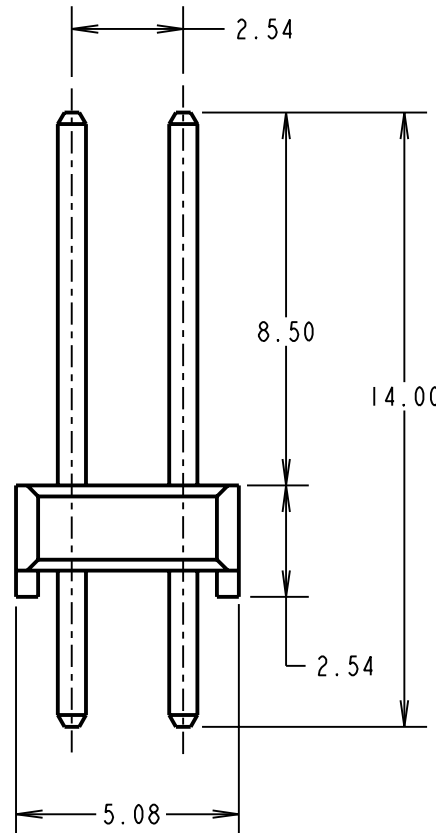
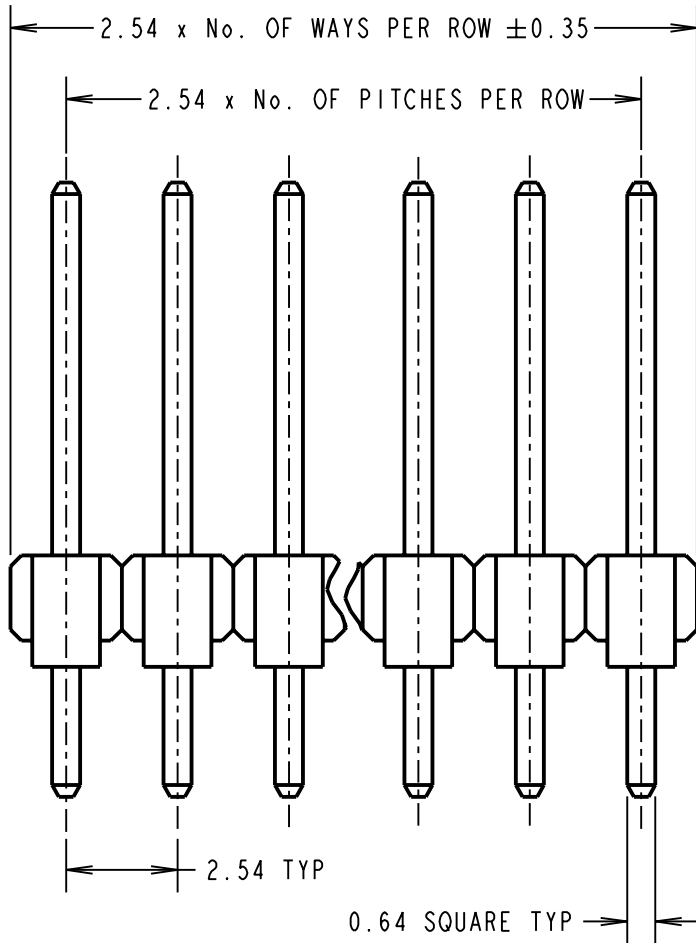
IF IN DOUBT - ASK

(C)

NOT TO SCALE

THIRD ANGLE PROJECTION

ALL DIMENSIONS IN mm



SPECIFICATION:

MATERIAL:

MOULDING = HIGH TEMP NYLON 6T UL94V-0, BLACK

PINS = BRASS

FINISH:

PINS:

45 = GOLD

46 = 100% TIN OVER NICKEL

ELECTRICAL:

CURRENT RATING = 3A MAX

CONTACT RESISTANCE = 25 mΩ MAX (GOLD), 30 mΩ MAX (TIN)

INSULATION RESISTANCE = 1,000 MΩ MIN

DIELECTRIC STRENGTH = 750V AC/DC

MECHANICAL:

DURABILITY = 300 OPERATIONS (GOLD), 50 OPERATIONS (TIN)

ENVIRONMENTAL:

TEMPERATURE RANGE = -40°C TO +105°C

PACKING:

BAG

NOTES:

1. ALL TOLERANCES ARE ±0.25mm UNLESS OTHERWISE STATED.
2. RECOMMENDED PCB MOUNTING HOLE SIZE = Ø1.00mm.
3. SUITABLE FOR USE WITH BOTTOM ENTRY SOCKETS.

ORDER CODE:

M20-997XXXX

No. OF CONTACTS PER ROW
01 TO 40

FINISH

45 = GOLD

46 = 100% TIN

CP	14	14.09.09	10298
NAME	ISS.	DATE	C/NOTE
APPROVED: C.PENROSE			
CHECKED: R.ADDE			
DRAWN: K. SHIER			
CUSTOMER REF.:			
ASSEMBLY DRG:			

HARWIN

HARWIN USA
TEL: 603 893 5376
FAX: 603 893 5396
mis@harwin.com

HARWIN Europe (UK)
TEL: 023 9231 4545
FAX: 023 9231 4590
mis@harwin.co.uk

HARWIN Asia
TEL: +65 6 779 4909
FAX: +65 6 779 3868
mis@harwin.com.sg

THIS DRAWING AND ANY INFORMATION OR DESCRIPTIVE MATTER SET OUT HEREON ARE CONFIDENTIAL AND COPYRIGHT PROPERTY OF THE HARWIN GROUP AND MUST NOT BE DISCLOSED, LOANED, COPIED OR USED FOR MANUFACTURING, TENDERING OR FOR ANY OTHER PURPOSE WITHOUT THEIR WRITTEN PERMISSION.

TOLERANCES
X = ±1mm
X.X = ±0.25mm
X.XX = ±0.10mm
X.XXX = ±0.01mm
ANGLES = ±5°
UNLESS STATED

MATERIAL:

SEE ABOVE

FINISH: SEE ABOVE

S/AREA: mm²

TITLE:

2.54mm PITCH DIL VERTICAL
PIN HEADER ASSEMBLY (8.5mm)

DRAWING NUMBER:

M20-997XXXX

SHT
2
OF 2