

## VC-D1-ST15-PE


Order No.: 1855018

The illustration shows a 30-pos. version



Male contact carrier, for turned and rolled crimp contacts, type VC 1,  
15-pos. + PE

### Commercial data

GTIN (EAN)	 4 017918 159399
sales group	D220
Pack	10 pcs.
Customs tariff	85366990
Catalog page information	Page 462 (PC-2011)

### Product notes

WEEE/RoHS-compliant since:  
06/01/2005



<http://www.download.phoenixcontact.com>  
Please note that the data given here has been taken from the online catalog. For comprehensive information and data, please refer to the user documentation. The General Terms and Conditions of Use apply to Internet downloads.

### Technical data

#### Electrical characteristics

Note	Plug connectors may only be connected/disconnected when under no load.
Rated voltage	250 V
Rated voltage (III/3)	250 V

Rated current	10 A
	10 A
Rated surge voltage	4 kV
Ambient temperature (operation)	-40 °C ... 125 °C
Number of positions	15

#### Mechanical characteristics

Conductor cross-section	0.14 mm <sup>2</sup> ... 1.5 mm <sup>2</sup> (stranded)
Connection cross-section AWG	22 ... 16
Stripping length of the individual wire	8 mm
Conductor cross section stranded max.	1.5 mm <sup>2</sup>
Insertion/withdrawal cycles	>= 500

#### General characteristics

Design	VC1
Series	VC-D
Connection method	Crimp connection
Inflammability class acc. to UL 94	V0
Pollution degree	2
Surge voltage category	III

#### Material data

Contact carrier material	PA-GF
--------------------------	-------

#### Certificates / Approvals



Certification CUL, GOST, UL

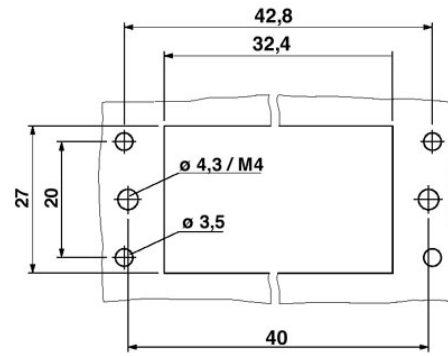
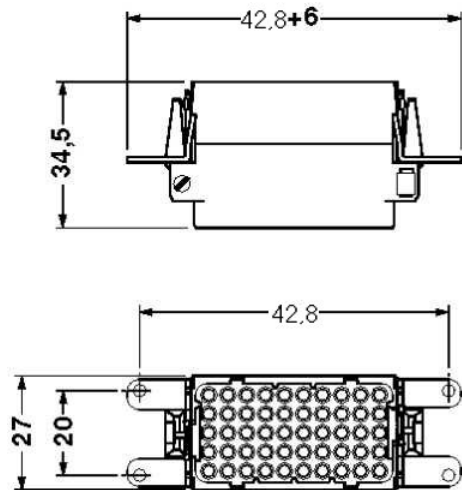
#### Accessories

Item	Designation	Description
1855319	VC-D-AF	Panel mounting flange for screw locking, for fixing the crimp contact insert to the housing panel, with two M3 threaded holes and one M4 threaded hole

---

## Diagrams/Drawings

Dimensioned drawing



Panel cutout

---