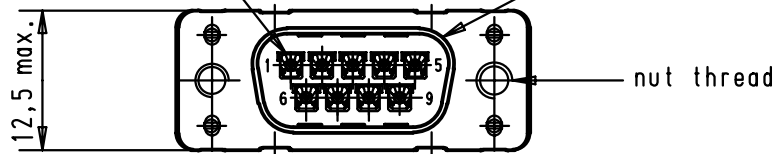


5 4 3 2 1

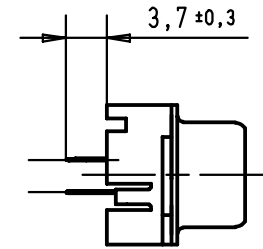
Mating face according to : MIL-C-24308 / DIN 41652 / CECC 75301-802

No. 1 contact

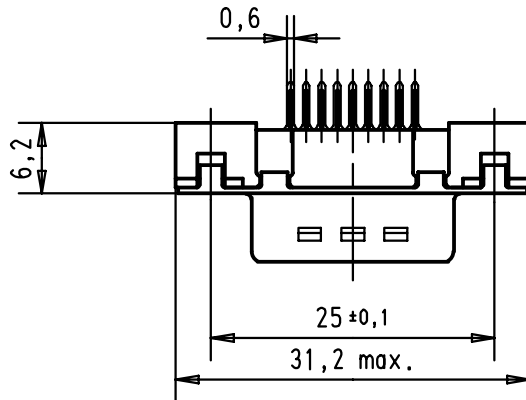
12,5 max.



nut thread



Printed board layout component side



$4 \times 2,74 = 10,96$

$3 \times 2,74 = 8,22$

2,74

No.1 contact

$\phi 3,1 \pm 0,1$

$\phi 0,1$

2,84

1,42

No.6 contact

2,74

$\phi 1 \pm 0,1$

$\phi 0,05$

25

No.9 contact

D

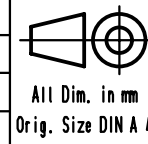
C

B

A

09 65 121 6701	M3	2			
09 65 121 7701	M3	3			
09 65 121 5701	M3	0.76 μ m Au			
09 65 121 6702	4-40 UNC	2			
09 65 121 7702	4-40 UNC	3			
09 65 121 5702	4-40 UNC	0.76 μ m Au	29723	05/03/02	CV
Part number	Nut thread	Performance level	Mod.	Dat.	Name

	Dat.	Name
Detail.	05/03/02	CV
Insp.		
Stand.		
HARTING EURL F-95972 Paris		



All Dim. in mm
Orig. Size DIN A 4



D-Sub, 9 poles,
male, straight,
with solder pins 3.7,
and nuts.

TB 09 65 121 X70X

Sub.

Maßstab/
Scale
1,5:1

Blatt/ Page
2