

# Honeywell

---

## SL1-A

**Series SL1: Top Roller Plunger; 1 NC 1 NO SPDT Snap Action; Compression Fitting**



*Representative photograph, actual product appearance may vary.*

*Due to regional agency approval requirements, some products may not be available in your area. Please contact your regional Honeywell office regarding your product of choice.*

### Features

- Ideal source of replacement parts for imported machine tools
- NEMA 3, 4, 13 and IEC IP 67 sealing
- Smaller size saves space
- Rugged Zinc diecast housing
- Wide product selection to suit many applications
- Snap-in terminal enclosures makes mounting and wiring easy
- Temperature ranges: standard and low

### Typical Applications

- Robotics
- Light Material Handling
- Machine Tools
- Automotive Factory Floor
- Electronic Assembly Equipment

### Description

The SL1 series compact limit switches are sealed, sensitive, and have a long life. The compact size makes them suitable for the total miniaturization of machinery or equipment.

# Honeywell

---

## SL1-A

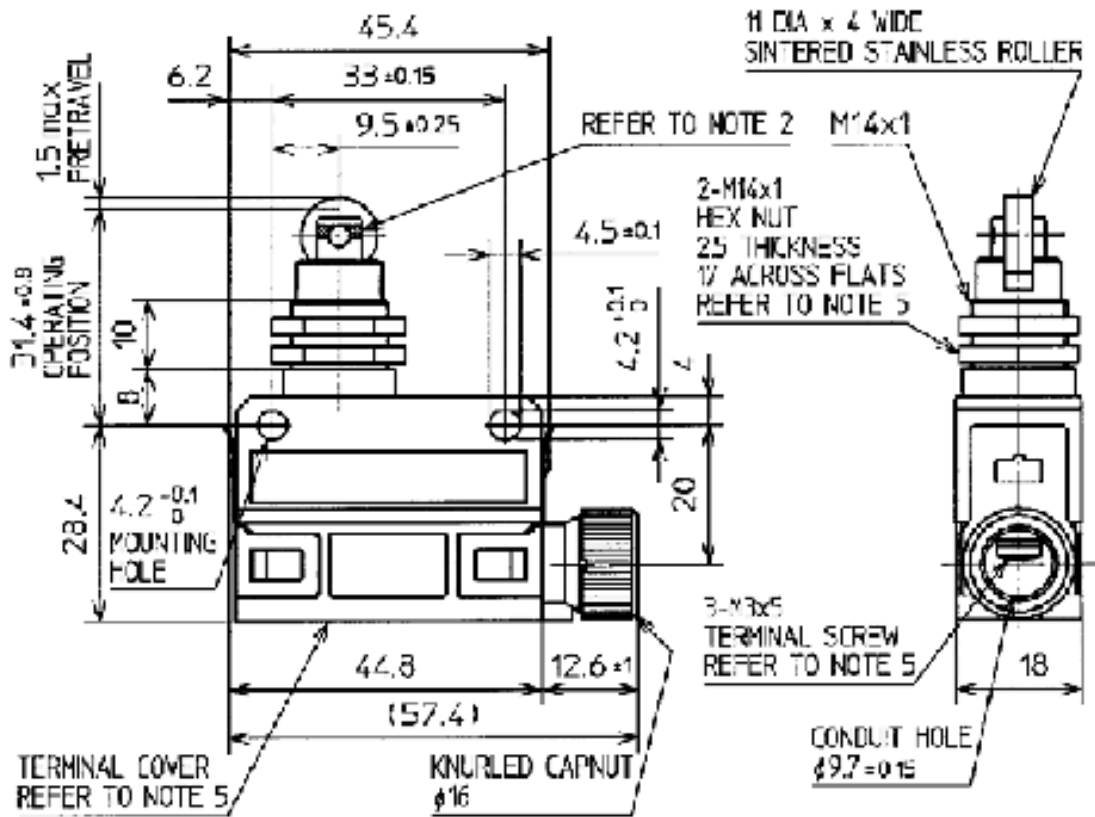
**Series SL1: Top Roller Plunger; 1 NC 1 NO SPDT Snap Action; Compression Fitting**

<b>Product Specifications</b>	
<b>Availability</b>	North America; Asia-Pacific; Latin America
<b>Operating Force (O.F.)</b>	11,76 N max. [2.64 lbs max.]
<b>Release Force (R.F.)</b>	4,90 N min. [1.10 lbs min.]
<b>Pretravel (P.T.)</b>	1,5 mm max. [0.060 in max.]
<b>Overtravel (O.T.)</b>	3,0 mm max. [0.118 in max.]
<b>Differential Travel (D.T.)</b>	0,10 mm max. [0.004 in max.]
<b>Product Type</b>	Miniature Limit Switches
<b>Actuator</b>	Top Roller Plunger
<b>Lever Style</b>	None
<b>Circuitry</b>	1 NC 1 NO SPDT Snap Action
<b>Ampere Rating</b>	5.0 A
<b>Supply Voltage</b>	125 Vac, 250 Vac
<b>Housing Material</b>	Zinc Die-Cast
<b>Termination Type</b>	Cable Gland
<b>Series Name</b>	SL1 Series
<b>Sealing</b>	IP67, Nema 3, 4, 13
<b>Operating Temperature Range</b>	-10 °C to 70 °C (14 °F to 160 °F)
<b>Comment</b>	M3 Terminal screws; 5.8 mm to 9.6 mm outside cable diameter
<b>Sealed</b>	Industrial

# Honeywell

## SL1-A

**Series SL1: Top Roller Plunger; 1 NC 1 NO SPDT Snap Action; Compression Fitting**



- NOTES
- 1 SWITCH ENCLOSURE IS OF ZINC ALLOY COATED WITH BLACK FLUOROPLASTICS. TERMINAL COVER IS PLASTIC.
  - 2 SET FULL OVERTRAVEL POSITION SO THAT TOP OF BUSHING BE WITHIN RANGE OF ROLLER PLUNGER GROOVES SHOWN WITH CROSS HATCHING.
  - 3 SEAL IS ALREADY ASSEMBLED FOR A CABLE OF 5.8 TO 7.8 DIA. SEAL IS ATTACHED FOR A CABLE OF 7.9 TO 9.6 DIA.
  - 4 MOUNT COMPLETELY THE TERMINAL COVER AFTER WIRING, TO KEEP THE SEALING OF TERMINAL HOUSING. TIGHTEN FULLY THE KNURLED CAPNUT BY HAND WITHOUT USING A TOOL.
  - 5 TERMINAL COVER, TERMINAL SCREWS AND HEX NUTS ARE FURNISHED UNASSEMBLED.

**Honeywell**

## SL1-A

**Series SL1: Top Roller Plunger; 1 NC 1 NO SPDT Snap Action; Compression Fitting**

### **⚠ WARNING**

#### **PERSONAL INJURY**

DO NOT USE these products as safety or emergency stop devices, or in any other application where failure of the product could result in personal injury.

**Failure to comply with these instructions could result in death or serious injury.**

## **WARNING**

### **MISUSE OF DOCUMENTATION**

- The information presented in this product sheet (or catalog) is for reference only. **DO NOT USE** this document as product installation information.
- Complete installation, operation and maintenance information is provided in the instructions supplied with each product.

**Failure to comply with these instructions could result in death or serious injury.**

© Copyright Honeywell Inc.1998-2004 All rights reserved.