


U.I. Lapp GmbH	PRODUCT INFORMATION	
	SKINTOP® ST	12.09.2012

Various accessories (e.g. multiple sealing inserts)
 High oil-resistance for maximum reliability
 Permanent vibration protection
 Optimum strain relief
 Wide, variable clamping ranges



Application range

Used in areas where cables and wires need to be safely inserted into housings
 Machine and equipment manufacturing
 Photovoltaic
 Automation technology

Design

PG connection thread

Approvals (Norm references)

UL File Nr. E79903

Note

Refer to SKINTOP® PG accessories for suitable accessories
 Counter nut to be used: SKINTOP® GMP-GL

Remark

Photographs are not to scale and do not represent detailed images of the respective products.

Technical Data

Caution:	Refer to Appendix T21 for the installation dimensions and torques
Colour delivered:	Silver grey (RAL 7001) Light grey (RAL 7035) Black (RAL 9005), UV-resistant
Material:	Body: Polyamide Seal: CR
Tests:	GGVS: TÜ.EGG.020-95
Protection rating:	Outdoors
Temperature range:	-20°C to +80°C



Product Management	Document: LAPP_PRO1066EN.pdf	1 / 4
--------------------	------------------------------	-------

SKINTOP® ST

12.09.2012


Part number	Article designation / size	Clamping range ØF (mm)	SW (mm)	Overall length/ C (mm)	Thread length inner mm	Pieces / PU
SKINTOP® ST silver grey						
53015000	ST 7	2,5 - 6,5	15	32.0	8.0	100
53015010	ST 9	3,5 - 8	19	36.0	8.0	100
53015020	ST 11	4 - 10	22	38.0	8.0	100
53015030	ST 13,5	6 - 12	24	41.0	9.0	100
53015040	ST 16	9 - 14	27	44.0	10.0	50
53015050	ST 21	13 - 18	33	49.0	11.0	50
53015060	ST 29	14 - 25	42	56.0	11.0	25
53015070	ST 36	24 - 32	53	66.0	13.0	10
53015080	ST 42	35 - 38	60	68.0	13.0	5
53015090	ST 48	39 - 44	65	69.0	14.0	5
SKINTOP® ST black						
53015200	ST 7	2,5 - 6,5	15	32.0	8.0	100
53015210	ST 9	3,5 - 8	19	36.0	8.0	100
53015220	ST 11	4 - 10	22	38.0	8.0	100
53015230	ST 13,5	6 - 12	24	41.0	9.0	100
53015240	ST 16	9 - 14	27	44.0	10.0	50
53015250	ST 21	13 - 18	33	49.0	11.0	50
53015260	ST 29	14 - 25	42	56.0	11.0	25
53015270	ST 36	24 - 32	53	66.0	13.0	10
53015280	ST 42	35 - 38	60	68.0	13.0	5
53015290	ST 48	39 - 44	65	69.0	14.0	5
SKINTOP® ST light grey						
53018000	ST 7	2,5 - 6,5	15	32.0	8.0	100
53018010	ST 9	3,5 - 8	19	36.0	8.0	100
53018020	ST 11	4 - 10	22	38.0	8.0	100
53018030	ST 13,5	6 - 12	24	41.0	9.0	100
53018040	ST 16	9 - 14	27	44.0	10.0	50
53018050	ST 21	13 - 18	33	49.0	11.0	50
53018060	ST 29	14 - 25	42	56.0	11.0	25
53018070	ST 36	24 - 32	53	66.0	13.0	10

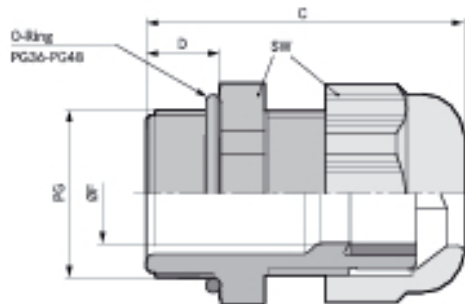


SKINTOP® ST


12.09.2012

Part number	Article designation / size	Clamping range ØF (mm)	SW (mm)	Overall length/ C (mm)	Thread length inner mm	Pieces / PU
53018080	ST 42	35 - 38	60	68.0	13.0	5
53018090	ST 48	39 - 44	65	69.0	14.0	5

U.I. Lapp GmbH	PRODUCT INFORMATION	 LAPP GROUP
SKINTOP® ST		12.09.2012



Product Management	Document: LAPP_PRO1066EN.pdf	4 / 4
--------------------	------------------------------	-------

U.I. Lapp GmbH	PRODUCT INFORMATION	
	SKINTOP® GMP-GL	12.09.2012

Glass fibre-reinforced for maximum mechanical stability
Supporting surface for spanner means scratches on the housing are avoided



Application range

For locking SKINTOP® cable glands in boreholes without thread.

Design

PG connection thread

Approvals (Norm references)

UL File Nr. E79903

Note

UL approval only when used with the UL-approved SKINTOP® polyamide cable glands
Designed for use with SKINTOP® ST(R)

Remark

Photographs are not to scale and do not represent detailed images of the respective products.

Technical Data

On request:	Available without collar (without surface for assembling tool)
Colour delivered:	Silver grey (RAL 7001) Light grey (RAL 7035) Black (RAL 9005), UV-resistant
Material:	Polyamide, glass fibre-reinforced
Temperature range:	-20°C to +100°C

Product Management	Document: LAPP_PRO1073EN.pdf	1 / 4
--------------------	------------------------------	-------

SKINTOP® GMP-GL

12.09.2012

Part number	Article designation / size	SW (mm)	Pieces / PU
SKINTOP® GMP-GL silver grey with collar			
53019000	GMP-GL 7	19	100
53019010	GMP-GL 9	22	100
53019020	GMP-GL 11	24	100
53019030	GMP-GL 13,5	27	100
53019040	GMP-GL 16	30	100
53019050	GMP-GL 21	36	50
53019060	GMP-GL 29	46	50
53019070	GMP-GL 36	60	25
53019080	GMP-GL 42	65	25
53019090	GMP-GL 48	70	25
SKINTOP® GMP-GL black with collar			
53019200	GMP-GL 7	19	100
53019210	GMP-GL 9	22	100
53019220	GMP-GL 11	24	100
53019230	GMP-GL 13,5	27	100
53019240	GMP-GL 16	30	100
53019250	GMP-GL 21	36	50
53019260	GMP-GL 29	46	50
53019270	GMP-GL 36	60	25
53019280	GMP-GL 42	65	25
53019290	GMP-GL 48	70	25
SKINTOP® GMP-GL light grey with collar			
53019001	GMP-GL 7	19	100
53019011	GMP-GL 9	22	100
53019021	GMP-GL 11	24	100
53019031	GMP-GL 13,5	27	100
53019041	GMP-GL 16	30	100
53019051	GMP-GL 21	36	50
53019061	GMP-GL 29	46	50
53019071	GMP-GL 36	60	25
53019081	GMP-GL 42	65	25

U.I. Lapp
GmbH

PRODUCT INFORMATION



LAPP GROUP

SKINTOP® GMP-GL


12.09.2012

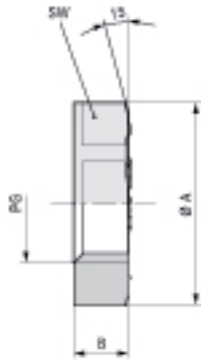
Part number	Article designation / size	SW (mm)	Pieces / PU
53019091	GMP-GL 48	70	25

Product Management

Document: LAPP_PRO1073EN.pdf

3 / 4

U.I. Lapp GmbH	PRODUCT INFORMATION	 LAPP GROUP
	SKINTOP® GMP-GL	12.09.2012



Product Management	Document: LAPP_PRO1073EN.pdf	4 / 4
--------------------	------------------------------	-------