



### General characteristics

Description	Modular with transparent cover, 1 operating threshold		
Residual operation characteristic	Type A		
N° of operating threshold	1		
<b>Control circuit</b>			
Toroidal transformer	External		
<b>Adjustments</b>			
Tripping set-point ( $I\Delta n$ )	(x0.1)	A	0.025...0.25
	(x1)	A	0.25...2.5
	(x10)	A	2.5...25
	(external multiplier)	A	25...250
Tripping delay time	(tx1)	s	0.02...0.5
	(tx10)	s	0.2...5
Selection of multiplier for $I\Delta n$ and t	By dip switches		
Resetting	Configurable automatic or manual by button on front		
Test Button	Yes		
Shunt circuit control	No		
<b>Auxiliary supply</b>			
Auxiliary rated supply voltage $U_s$	24-48VAC/DC		
Output contacts	1		
Rated frequency	Hz	50...60	
Power consumption Max	VA	3	
<b>Relay outputs</b>			
Relay state	Normally de-energised		
Contact arrangement	1 changeover SPDT (trip)		
Rated contact capacity IEC $I_{th}$	5A - 250VAC		
<b>Insulations</b>			
Power frequency withstand voltage	kV	2.5kV for 60s	
<b>Indications</b>			
Auxiliary voltage available (ON)	Green LED		
Relay tripping (TRIP)	Red LED		
<b>Connections</b>			
Terminals type	Fixed		
Tightening torque for terminals	max	Nm	0.5

Conductor section	AWG/Kcmil	max	lbin	4.5
		min		24
		max		12
	IEC	min	mm <sup>2</sup>	0.2
		max	mm <sup>2</sup>	2.5

**Operations**

Mechanical life	cycles	5000000
Electrical life	cycles	300000

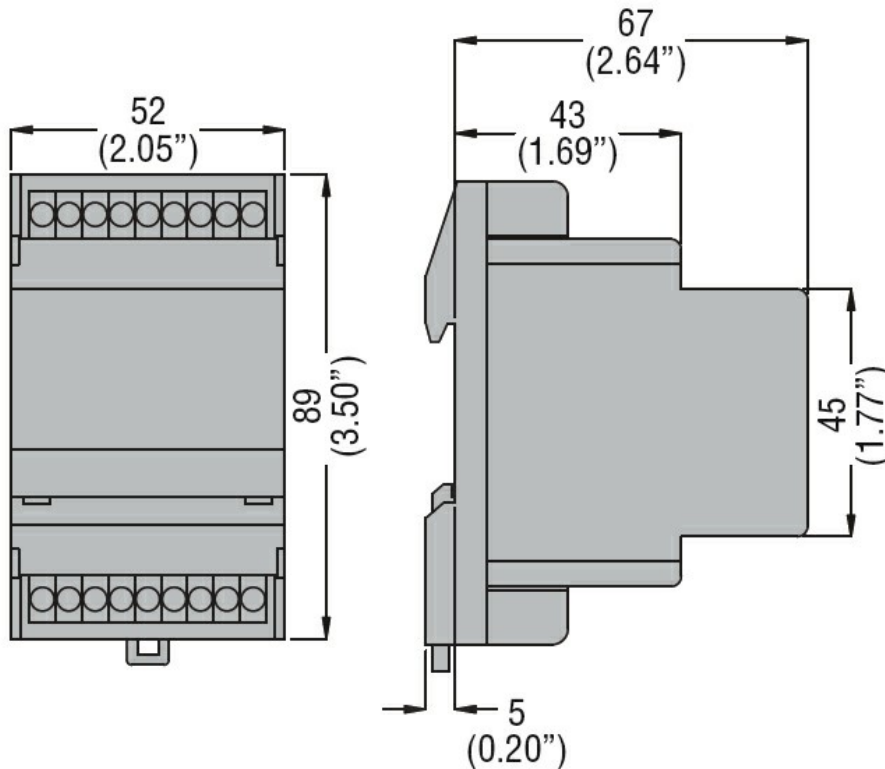
**Ambient conditions**

Temperature	Operating temperature	min	°C	-10
		max	°C	+60
	Storage temperature	min	°C	-20
		max	°C	+80
Relative humidity		%		≤90%

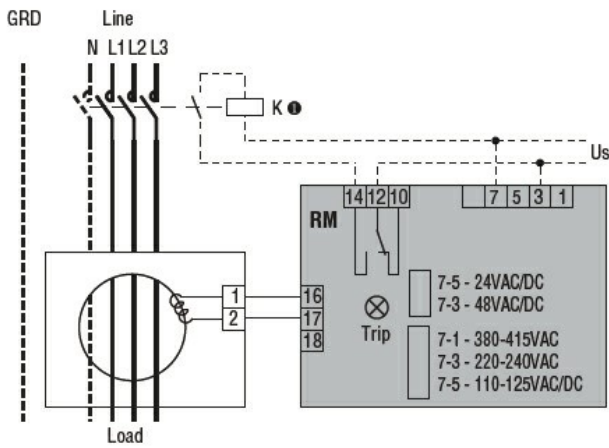
**Housing**

Material	Self-extinguishing polycarbonate
Mounting	35mm DIN rail
Degree of protection	IP20 terminals
Dimensions (W x H x D)	mm 52x89x72
Weight	g 190

**Dimensions**



**Wiring diagrams**



### Certifications and compliance

Compliant with standards

IEC/EN 60947-2

Certificates

EAC

### ETIM classification

ETIM 8.0

EC001445 -  
Residual current  
monitoring relay