

Switch/Pushbutton

Technical data

Ex-installation switches and Ex-pushbuttons

Marking to 94/9/EC	Ex II 2 G Ex de IIC T6 / Ex II 2 D Ex tD A21 IP66 T80 °C
EC-Type Examination Certificate	PTB 98 ATEX 3121
IECEX Certificate of conformity	IECEX BK1 07.0036
Marking acc. IECEx	Ex ed IIC T6 Ex tD A21 IP66 T67 °C
Permissible ambient temperature	-20 °C to +40 °C -55 °C to +55 °C (option)
Rated voltage	250 V, 50 - 60 Hz
Rated current	16 A
Connecting terminals	Switch terminals: 2 x 2.5 mm ² / PE-terminals: 4 x 2.5 mm ²
Degree of protection accd. to EN 60529	IP66
Cable glands ¹⁾	Ex-e cable glands max. 2 x M25; 2 x M20 thread
Weight	0.32 kg
Enclosure material	Polyamide

Ordering details

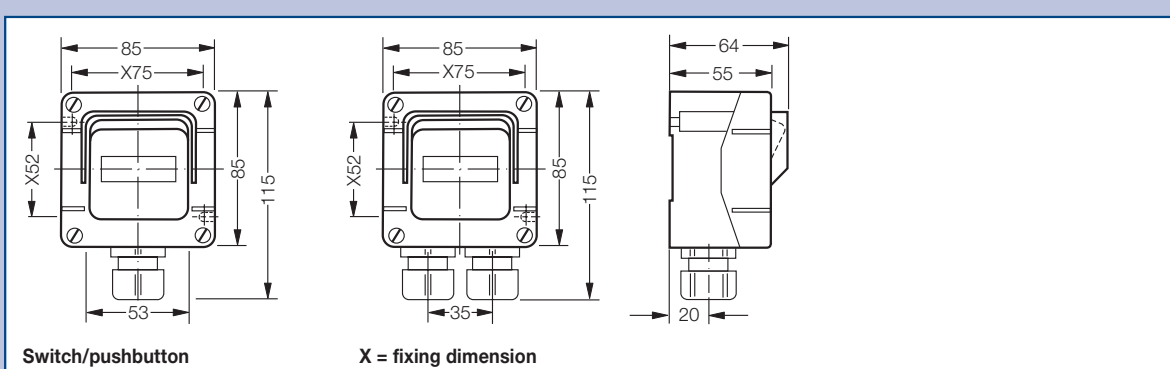
Type	Contact arrangement	Cable glands ¹⁾	Order No.
ON-OFF switch 2-pole		1 x M25	GHG 273 2000 R0017
		2 x M25	GHG 273 2000 R0018
		2 x M20 ²⁾	GHG 273 2000 R0003
Change-over switch		1 x M25	GHG 273 6000 R0011
		2 x M20 ²⁾	GHG 273 6000 R0003
		2 x M25	GHG 273 6000 R0014
Pushbutton		1 x M25	GHG 273 4000 R0004
		2 x M25	GHG 273 4000 R0007

¹⁾ Base enclosure can be rotated after wards (entry from top or down)

²⁾ Threaded only

Other versions available on request

Dimension drawing



Dimensions in mm