

THIS DRAWING IS UNPUBLISHED. RELEASED FOR PUBLICATION  
 © COPYRIGHT - By - ALL RIGHTS RESERVED.

LOC	DIST	REVISIONS 変更					
J	-	P	LTR	DESCRIPTION	DATE	DWN	APVD
			Y1	REVISED PER ECO-11-005030	11MAR11	RK	HMR

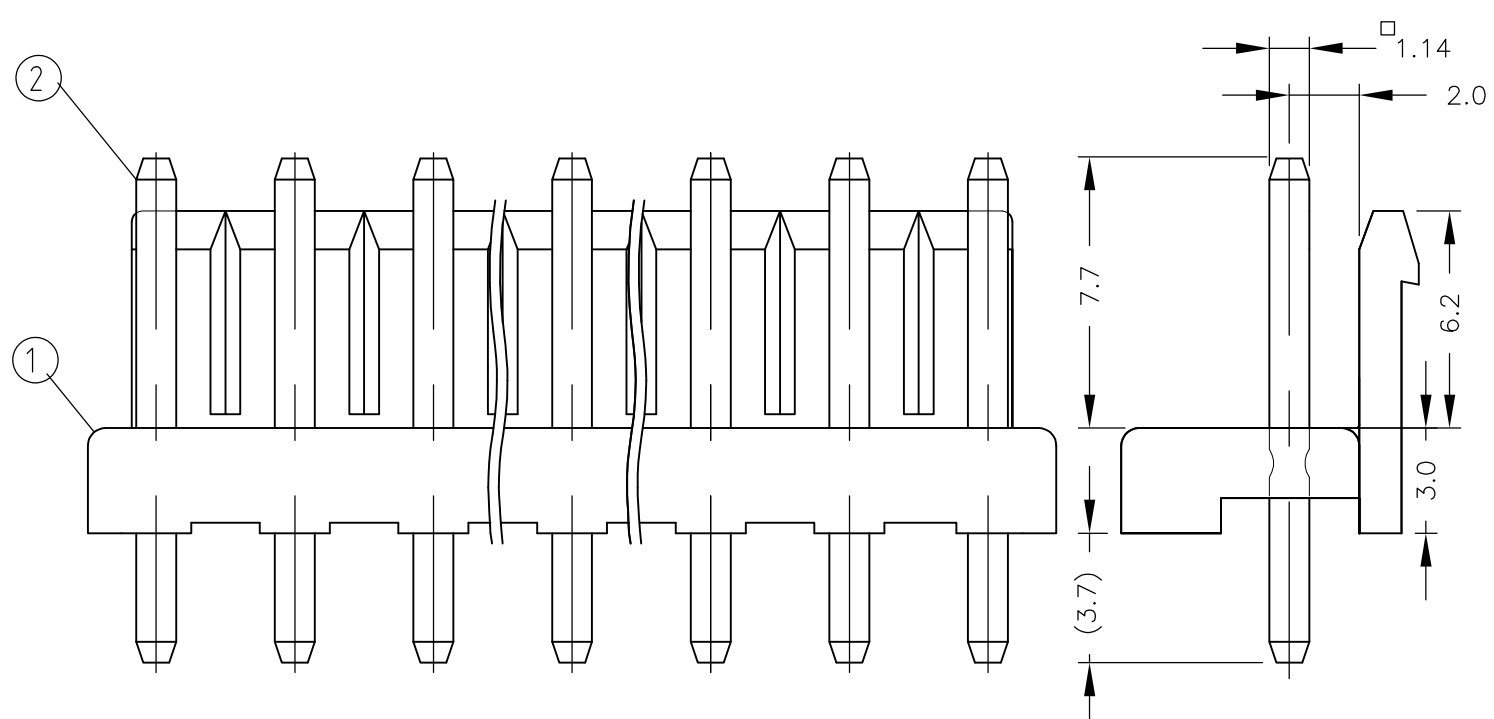
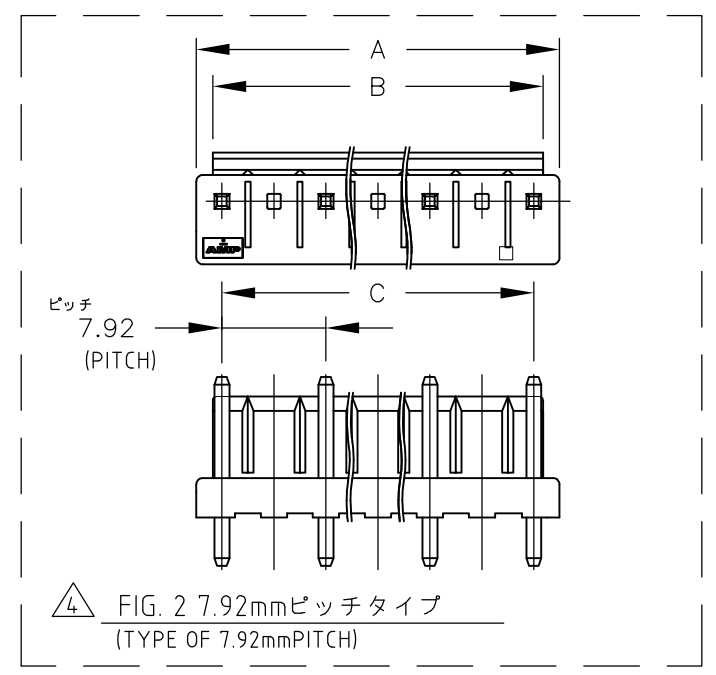
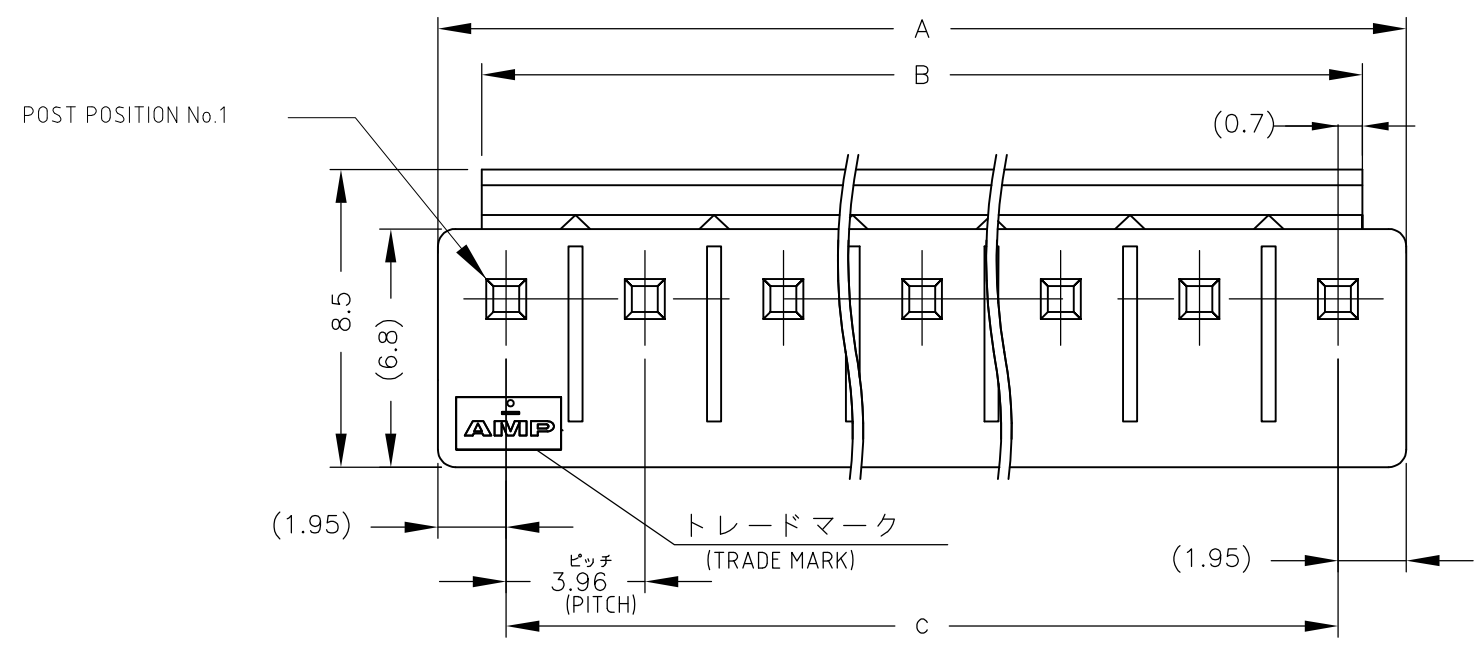
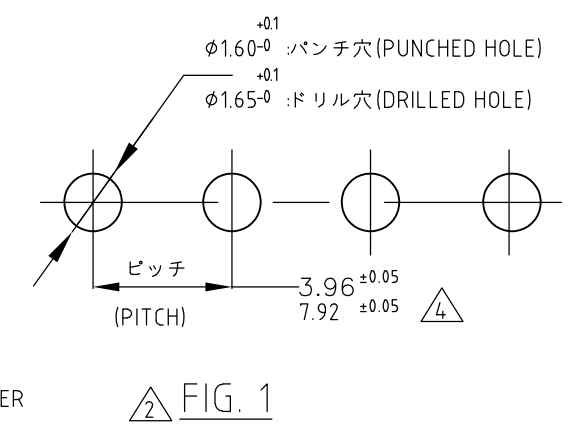


表 1 (TABLE 1)

No	名称 (NAME)	材料 (MATERIAL)
①	ヘッダーハウジング (HEADER HOUSING)	PBT ガラス強化 UL94V-0 (PBT GLASS FILLED UL94V-0)
②	ポスト コンタクト (POST CONTACT)	黄銅めっき仕上げ (POST TIN · BRASS)

- 注記:
- 1. 嵌合相手側製品型番: □-1123722-□
  - △ 取付け基板穴寸法: FIG.1参照
  - 3. 適用基板厚: 1.6t
  - △ 7.92mmピッチタイプ (FIG.2参照)

- NOTES:
- 1. MATING CONN P/N: □-1123722-□
  - △ APPLICABLE P.C.B LAY OUT: SEE FIG.1
  - 3. APPLICABLE P.C.B THICKNESS: 1.6t
  - △ TYPE OF 7.92mmPITCH (SEE FIG.2)
  - △ OBSOLETE PARTS: OBSOLETE CIS STREAMLINING PER D.RENAUD/D.SINISI



THIS DRAWING IS A CONTROLLED DOCUMENT.

DIMENSIONS: 単位: 耗 mm	TOLERANCES UNLESS OTHERWISE SPECIFIED: 一般公差	DWN N.YAMASAKI 13MAR'01	TE Connectivity
0 PLC 5 ≥ ± 0.3	1 PLC 5 < ± 0.4	CHK M.SHINDO 13MAR'01	
MATERIAL 材料 SEE TABLE 1	FINISH 仕上 //	APVD Y.KASHIWA 13MAR'01	NAME 名称 3.96(7.92)MM PITCH ECONOMY POWER(EP) CONN HEADER ASSY
		PRODUCT SPEC 製品規格 108-5609	3.96(7.92)mmピッチ エコノミーパワー(EP)コネクタ ヘッダーアッセンブリ
		APPLICATION SPEC 取付適用規格 //	SIZE A3
		WEIGHT //	CAGE CODE 00779
			DRAWING NO 番号 C-1123723
			RESTRICTED TO -
			SCALE 尺度 //
			SHEET 1 OF 2
			REV Y1

CUSTOMER DRAWING

