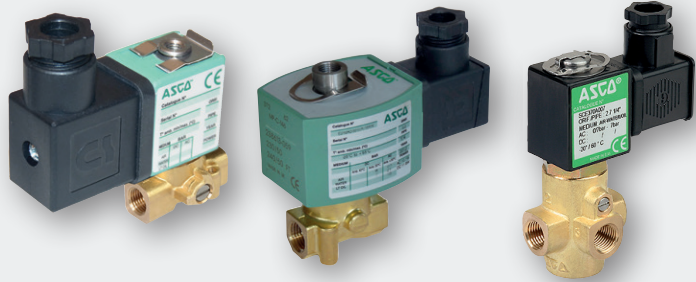


# 3/2 SOLENOID VALVES

direct operated  
brass body, 1/8 - 1/4  
stainless steel body, 1/8 - 1/4



	series 356	series 320	series 370	series 314
Fluids	air, inert gas, water, oil			
Differential pressure	refer to selection table			
Fluid temperature (TS)	-10°C to +100°C	-20°C to +90°C	-25°C to +80°C	-25°C to +90°C
Ambient temperature (TS)	-10°C to +60°C	-20°C to +75°C	-25°C to +60°C	-25°C to +55°C
Body	brass/st. steel	brass		brass/st. steel
Sealings	FPM	NBR (nitrile)		NBR (nitrile) or FPM (V00)
Standard voltages DC (-)	24 - 48V			
AC (-)	24 - 48 - 115 - 230V / 50Hz			

- Easy to operate and override using the manual operator
- Compact solution for control of single-acting actuators or filling/draining circuits
- Excellent service life for outdoor applications
- Wide range of flow rates and differential pressures

## YOUR SELECTION

pipe size	orifice size	flow coefficient Kv		operating pressure differential (bar)						power		(M)	connector	code G = ISO 228; E = Rp ISO 7/1; B = NPT	standard voltages (V)						
		2→1 m³/h	3→1 m³/h	min.	max.						~ W				= W	AC (-) / 50Hz				DC (=)	
					~	=	~	=	~	=						24	48	115	230	24	48
<b>3/2 NC - brass body</b>																					
1/8	1,2	0,05	0,05	0	15	15	15	15	15	15	4	6,9	×	size 30 (2)	<b>SCG356B001VMS</b>	✓	✓	✓	✓	✓	✓
	1,6	0,08	0,05	0	10	10	10	10	10	10	4	6,9	×		<b>SCG356B002VMS</b>	✓				✓	✓
	2,4	0,13	0,05	0	4	4	4	4	4	4	4	6,9	×		<b>SCG356B004VMS</b>	✓	✓	✓	✓	✓	✓
	1,6	0,08	0,05	0	10	10	10	10	-	-	4	6,9	×		<b>SCG356B053VMS</b>	✓	✓	✓	✓	✓	✓
1/4	1,6	0,08	0,05	0	10	10	10	10	10	10	5	6,9	×	size 30 (2)	<b>SCG356B466VMS</b>	✓				✓	
	2,4	0,16	0,05	0	4	4	4	4	4	4	5	6,9	×		<b>SCG356B470VMS</b>	✓				✓	
	0,2	-	0	10	5	10	5	10	5	8	10,8	×			<b>SCE370A002</b>					✓	
	0,2	-	0	10	10	10	10	10	10	10,5	11,2	×			<b>SCE370A017</b>	✓		✓	✓	✓	✓
	0,2	-	0	10	10	10	10	10	10	10,5	11,2	×			<b>SCE370A017MS</b>	✓		✓	✓	✓	✓
	0,2	-	0	10	10	10	10	10	10	10,5	11,2	×			<b>SCHTE370A017</b>	✓					
	<b>15-DIGIT PRODUCT CODE (3)</b>																				
	1/4	0,13	0,17	0	14	10	14	8	13	6	10,1	11,6	×		size 30 (2)	<b>E314K035S1N00</b>	FL	FR	FT	F8	F1
	0,13	0,17	0	14	10	14	8	13	7	10,1	11,6	●	<b>E314K035S1N01</b>	FL		FR	FT	F8	F1	F9	
<b>3/2 Universal - FPM seals and poppets - brass body</b>																					
1/4	3,2	0,22	0,17	0	4,5	3,5	4,5	3	2,5	3	10,1	11,6	×	size 30 (2)	<b>E314K008S1V00</b>	FL	FR	FT	F8	F1	F9
<b>3/2 NO - brass body</b>																					
1/8	1,6	0,096	0,05	0	8,5	8,5	8,5	8,5	8,5	8,5	4	6,9	×	size 30 (2)	<b>SCG356B006VMS</b>	✓	✓	✓	✓	✓	✓
1/4	2	0,11	-	0	10	10	10	10	10	10	10,5	11,2	×		<b>SCE370A021MS</b>			✓		✓	
<b>15-DIGIT PRODUCT CODE (3)</b>																					
1/4	3,2	0,22	0,17	0	11	10	11	10	11	8	10,1	11,6	×	size 30 (2)	<b>E314K054S1N00</b>	FL	FR	FT	F8	F1	F9
		0,22	0,17	0	11	10	11	10	11	8	10,1	11,6	●		<b>E314K054S1N01</b>	FL	FR	FT	F8	F1	F9
<b>3/2 NC - stainless steel body</b>																					
<b>15-DIGIT PRODUCT CODE (3)</b>																					
1/4	1,2	0,04	0,05	0	20	17	20	17	20	17	10,1	11,6	×	size 30 (2)	<b>E314K068S1V00</b>	FL	FR	FT	F8	F1	F9

(M) Manual operator    × : without    ● : with    (1) DIN 43650, 11 mm, industry standard B    (2) ISO 4400 / EN 175301-803, form A

(3) Ordering example: add the 2 digits for the voltage at the end of the 15-digit code: E314K035S1N00F1 (24V DC)

Other type of connectors available:

. Connector with LED and electrical protection, change S1 to S2 on positions 9 and 10 of the code: Ordering example: E314K035S2N00F1

. Connector with LED and protection by Transil + 5 m lead, change S1 to S3 on positions 9 and 10 of the code: Ordering example: E314K035S3N00F1

. Connector with LED and protection by Transil + 5 m CNOMO lead resistant to cutting fluid, change S1 to S4 on positions 9 and 10 of the code: Ordering example:

E314K035S4N00F1

# 3/2 SOLENOID VALVES

## OPTIONS AND ACCESSORIES

Connector with integrated electrical indication and protection or cable of 2m (see page 103)

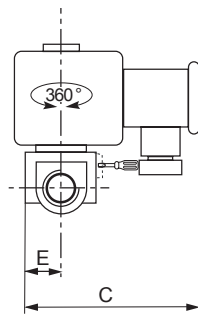
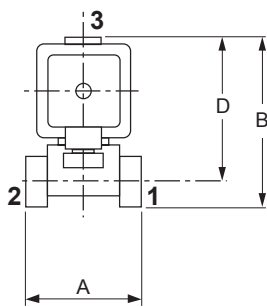
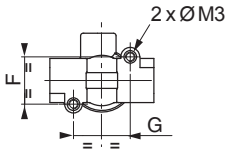


Replacement coils (see page 104)



## DIMENSIONS

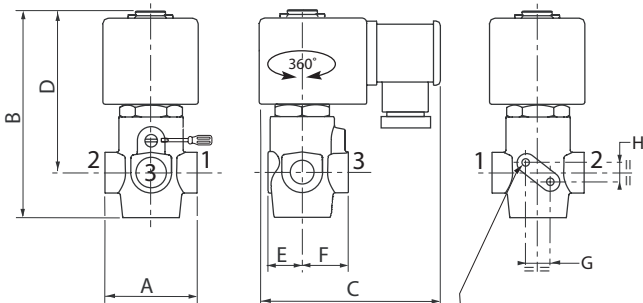
### 3/2 Solenoid valves, series 356



➔ flow direction

code	pipe size	A	B	C	D	E	F	G	➔
<b>3/2 NC</b>									
SCG356B001VMS									
SCG356B002VMS	1/8	33	53	59	46	15	15	18	2➔1
SCG356B004VMS									
SCG356B053VMS									
SCG356B466VMS	1/4	40	57	72	48	15	21	18	2➔1
SCG356B470VMS									
<b>3/2 NO</b>									
SCG356B006VMS	1/8	33	53	59	46	15	15	18	3➔1

### 3/2 Solenoid valves, series 370

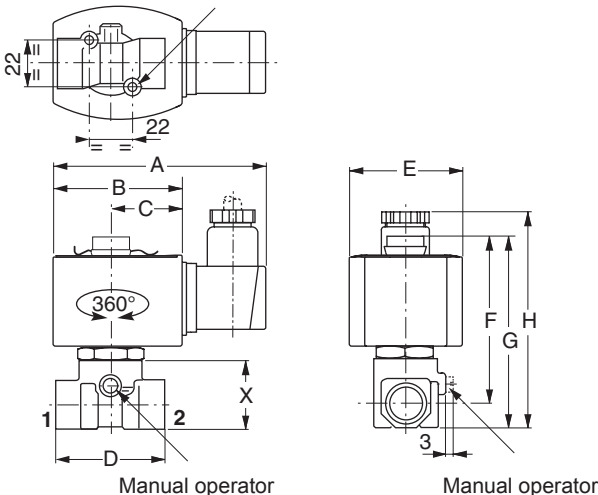


2 mounting holes M4 dia., depth 7 mm

code	A	B	C	D	E	F	G	H	➔
<b>3/2 NC</b>									
SCE370A002	43	97	71	76	15,5	21,5	11,2	9,4	2➔1
SCE370A017									
SCE370A017MS	43	97	86	76	15,5	21,5	11,2	9,4	2➔1
SCHTE370A017									

### 3/2 Solenoid valves, series 314

2 mounting holes M5 dia., depth 6 mm.



code	A	B	C	D	E	F	G	H	X	➔
E314K035S1N00										2➔1
E314K035S1N01										-
E314K008S1V00	97	59	34	40	50	73	82	96	30	3➔1
E314K054S1N00										3➔1
E314K054S1N01										2➔1
E314K068S1V00										2➔1

➔ flow direction