

Product data sheet

Subminiature connectors

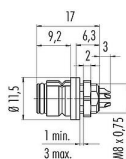


Product description	Snap-In Female panel mount connector, Contacts: 4, unshielded, solder, IP67, UL 2238, M8x0,75, Front mounting
Area	Snap-In IP67
Series	620
Part no.	99 9212 070 04

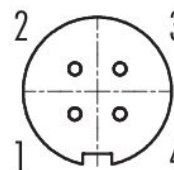
Illustration



Scale drawing



Contact arrangement (Plug-in side)



You can find the component part drawing and assembly instructions on the next page.

Technical data

General features

Part no.	99 9212 070 04
Connector design	Female panel mount connector
Version	Connector socket straight
Connector locking system	snap-in
Termination	solder
Degree of protection	IP67
Connection cross-section	max. 0.25 mm ² / AWG 24
Temperature range from/to	-25 °C / 85 °C
Mechanical operation	> 500 Mating cycles
Weight (g)	2.47
Customs tariff number	85369010
Country of Origin	DE

Electrical parameters

Rated voltage	125 V
Rated impulse voltage	1500 V
Rated current	2.5 A
Insulation resistance	≥ 10 ¹⁰ Ω
Pollution degree	2
Overvoltage category	II
Insulating material group	II
EMC compliance	unshielded

Product data sheet

Subminiature connectors



Product description	Snap-In Female panel mount connector, Contacts: 4, unshielded, solder, IP67, UL 2238, M8x0,75, Front mounting
Area	Snap-In IP67
Series	620
Part no.	99 9212 070 04

Material

Housing material	PA
Contact body material	PA (UL94 HB) green
Contact material	CuSn (bronze)
Contact plating	Au (gold)
REACH SVHC	CAS 7439-92-1 (Lead)
SCIP number	40cf2364-d64d-4182-84d3-4b7e0e01ece9

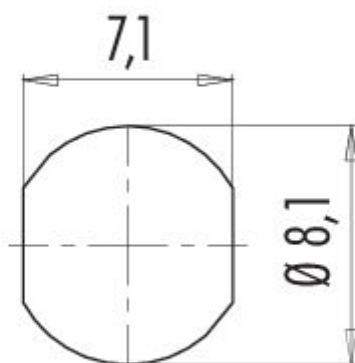
Authorization/approvals

Approvals	UL 2238
-----------	---------

Classifications

eCl@ss 11.1	27-44-01-02
ETIM 9.0	EC002635

Assembly instructions / Panel cut-out



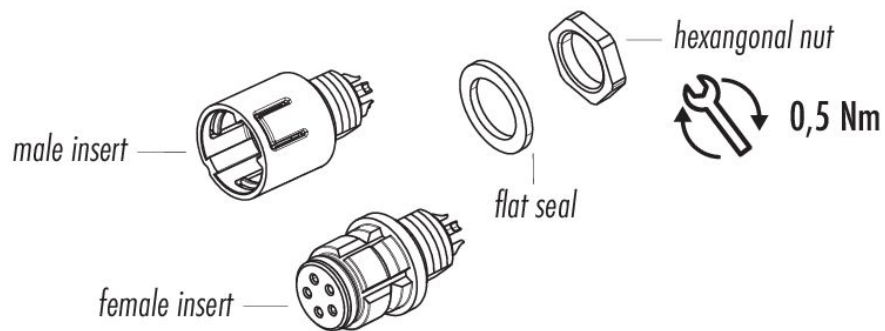
Product data sheet

Subminiature connectors



Product description	Snap-In Female panel mount connector, Contacts: 4, unshielded, solder, IP67, UL 2238, M8x0,75, Front mounting
Area	Snap-In IP67
Series	620
Part no.	99 9212 070 04

Component part drawing



Product description	Snap-In Female panel mount connector, Contacts: 4, unshielded, solder, IP67, UL 2238, M8x0,75, Front mounting
Area	Snap-In IP67
Series	620
Part no.	99 9212 070 04

General Disclaim Notice

The connector must not be plugged or unplugged under load. Non-observance and improper use can result in personal injury.

The connectors have been developed for applications in plant engineering, control and electrical equipment construction. The user is responsible for checking whether the connectors can also be used in other areas of application.

Connectors which are used in circuits with voltages dangerous to the touch may only be installed and used by, or under the supervision of, persons with electrical engineering training, taking into account the applicable regulations and standards.

The user must take suitable safety precautions to ensure that the connector cannot be accidentally disconnected.

Plug connectors with enclosure protection IP67 and IP68 are not suitable for use under water. When used outdoors, the plug connectors must be protected separately against corrosion. For further information on the IP protection classes, please refer to the "Technical Information" download centre.

Please observe the pollution degree and the overvoltage category. For further information, please refer to the download center "Technical Information".