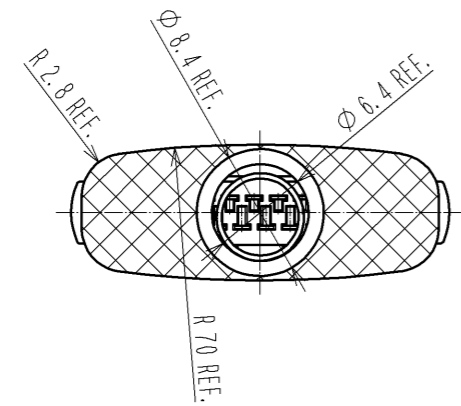
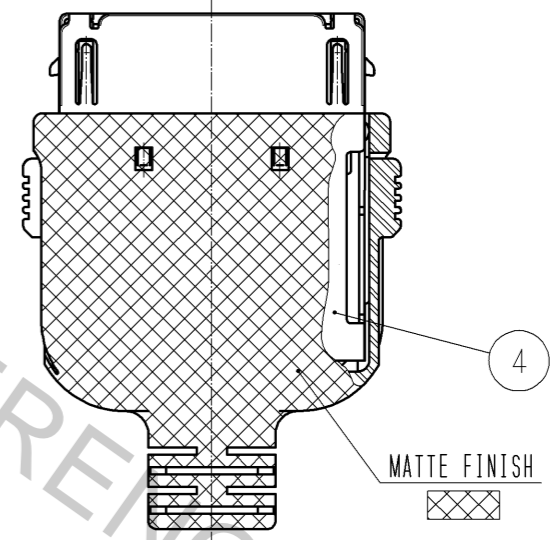
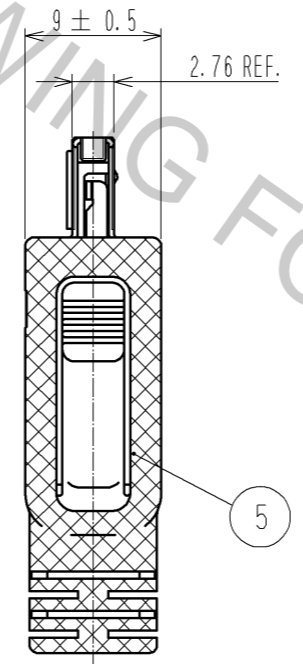
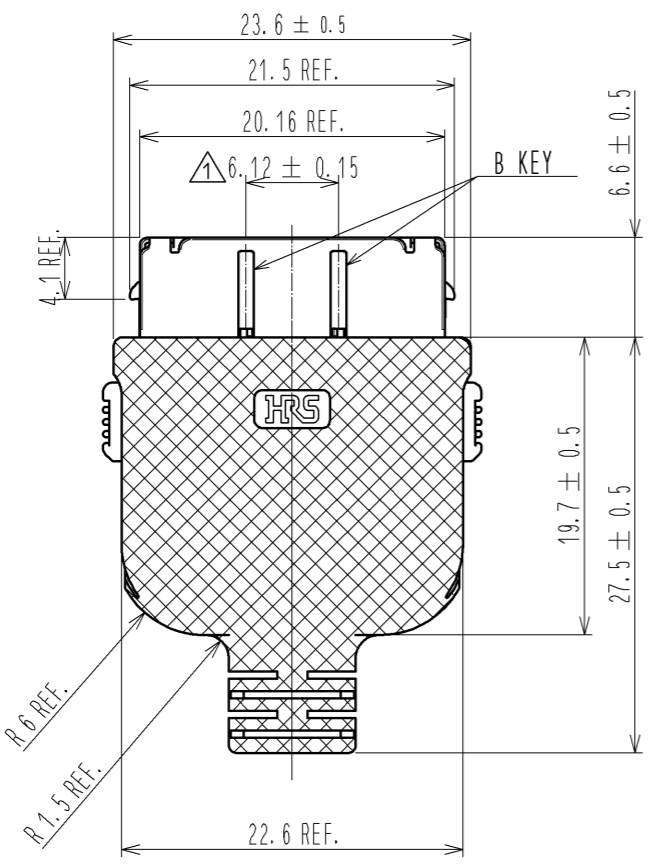
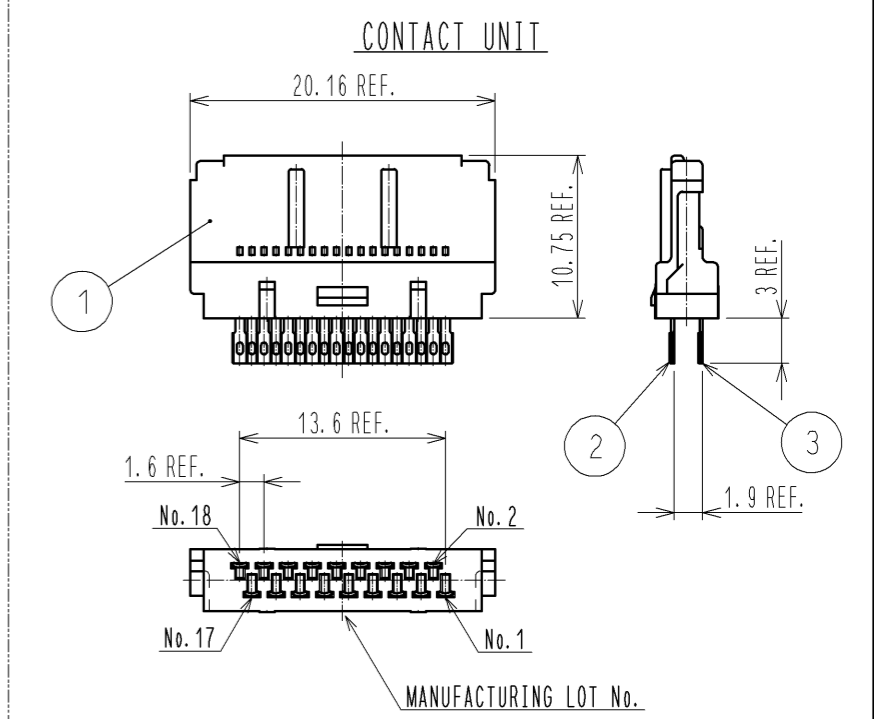
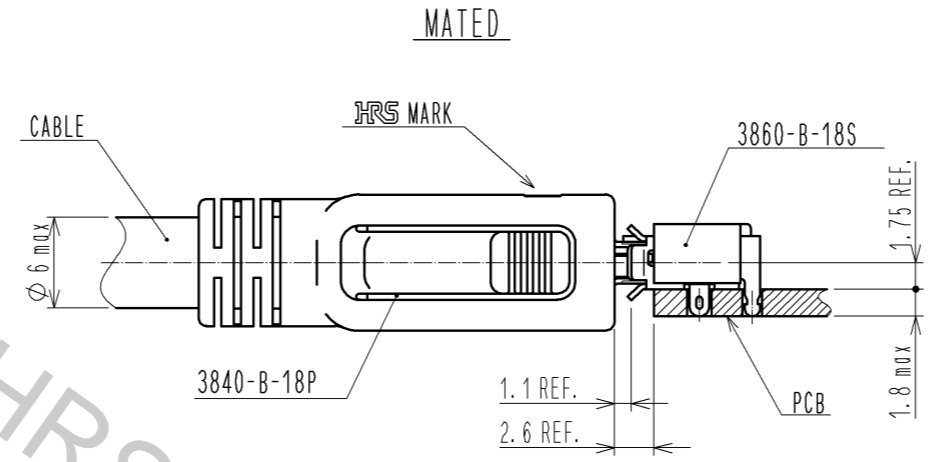
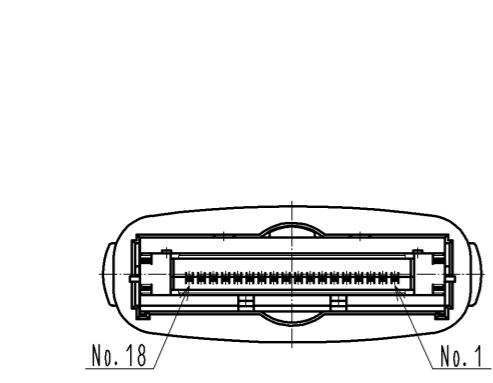


Nov.1.2016 Copyright 2016 HIROSE ELECTRIC CO., LTD. All Rights Reserved.

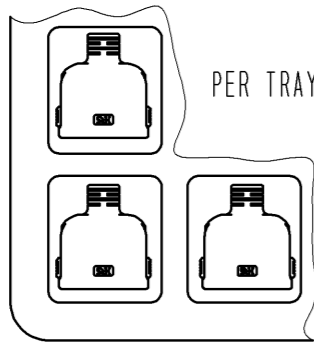
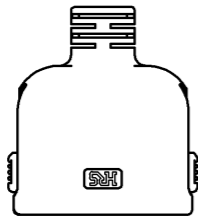


3	COPPER ALLOY	SELECTIVE GOLD PLATING 0.76 μm MIN	5	POLYCARBONATE	(BLACK) UL94V-0
2	COPPER ALLOY	SELECTIVE GOLD PLATING 0.76 μm MIN	4	STAINLESS STEEL	
1	PA	(BLACK) UL94V-0			
NO.	MATERIAL	FINISH . REMARKS	NO.	MATERIAL	FINISH . REMARKS
UNITS mm		SCALE 2 : 1	COUNT 1	DESCRIPTION OF REVISIONS DIS-E-003218	
DESIGNED KO. KAWAMURA		CHECKED TA. ASO		DATE 10.04.02	
APPROVED : NF. MIYAZAKI		09.11.19		DRAWING NO. EDC3-127059-00	
CHECED : TA. ASO		09.11.18		PART NO. 3840-B-18P	
DESIGNED : KO. KAWAMURA		09.11.18		CODE NO. CL238-2007-0-00	
DRAWN : KO. KAWAMURA		09.11.18			

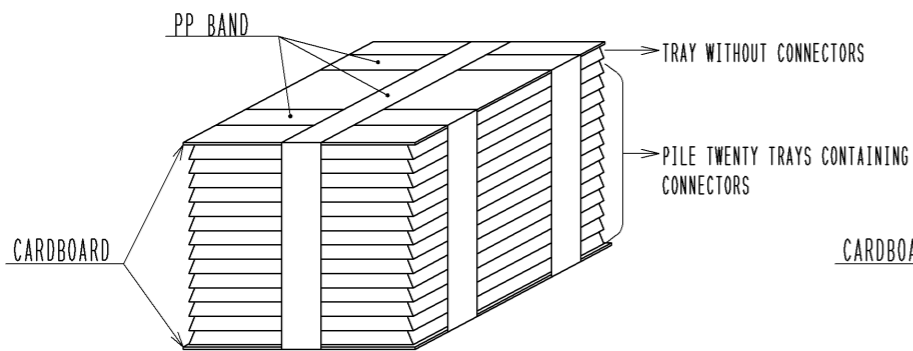
HRS DRAWING FOR REFERENCE

# [ 3840-\*\*-18P PACKING SPECIFICATION ]

<HOOD>

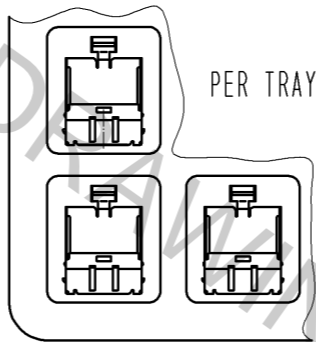
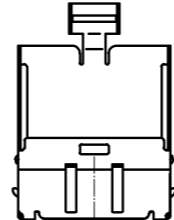


PER TRAY: 25 PCS MAX

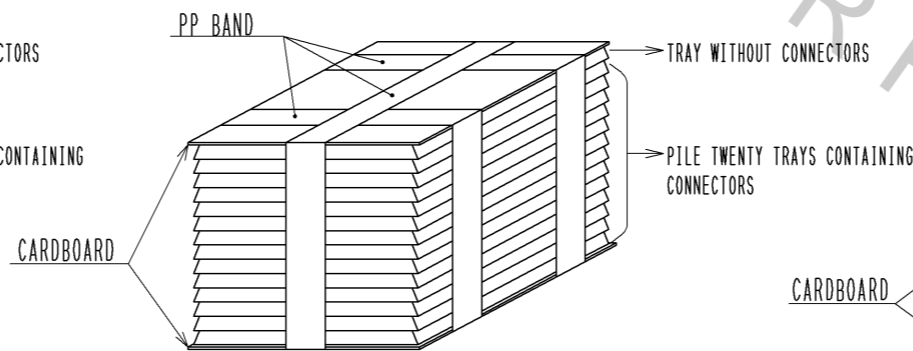


500 PCS MAX

<METAL SHELL>

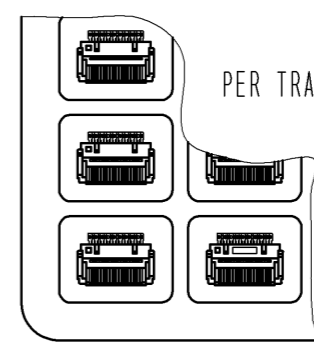
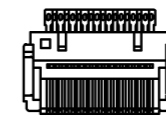


PER TRAY: 25 PCS MAX

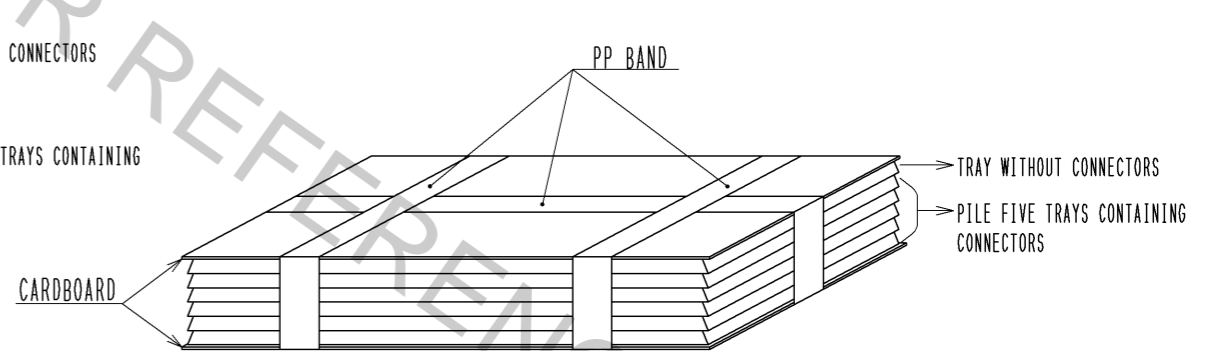


500 PCS MAX

<UNIT>

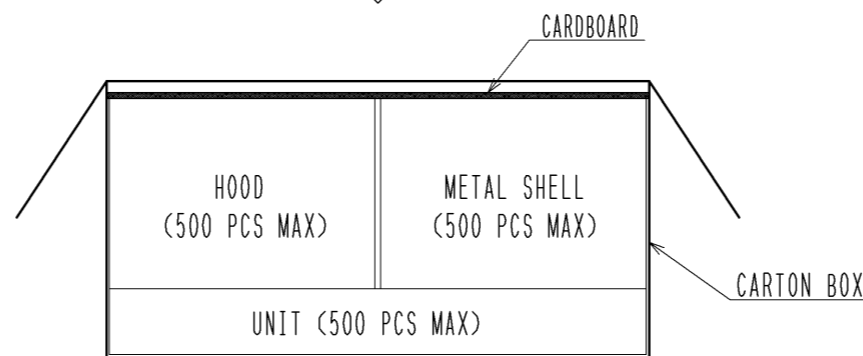
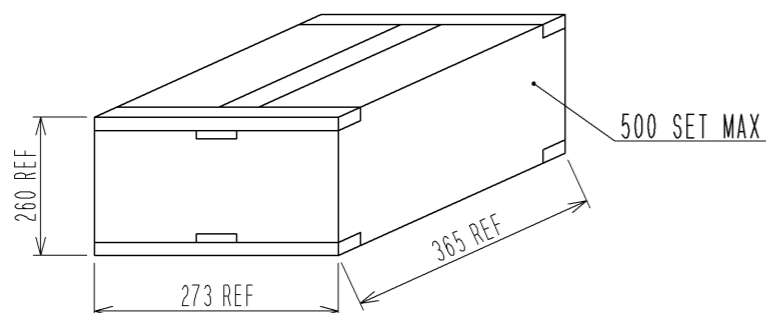


PER TRAY: 100 PCS MAX



500 PCS MAX

## PACKING SPECIFICATION



**HRS**

DRAWING NO.	EDC3-127059-00
PART NO.	3840-B-18P
CODE NO.	CL238-2007-0-00

2/2

Nov.1.2016 Copyright 2016 HIROSE ELECTRIC CO., LTD. All Rights Reserved.