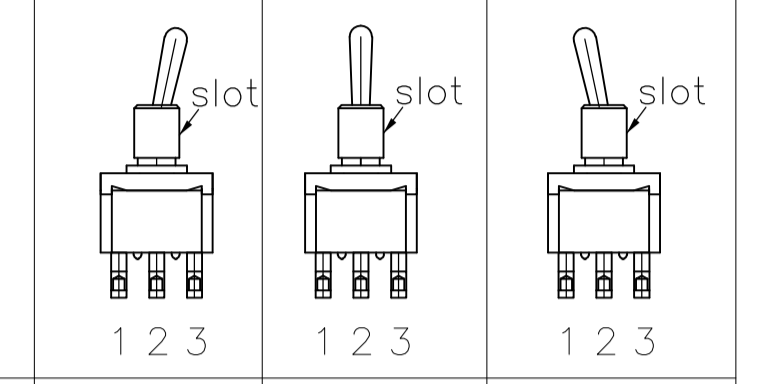


DATE CODE PRINTING LAST DIGIT OF YEAR
 A-L = JANUARY TO DECEMBER DAY

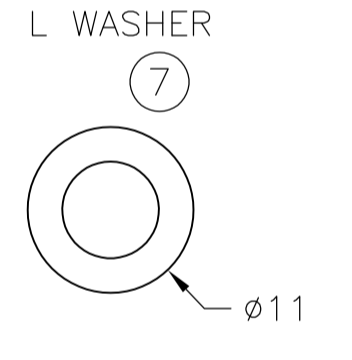
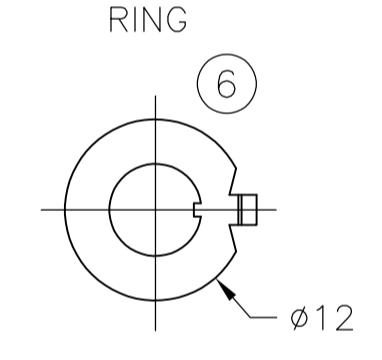
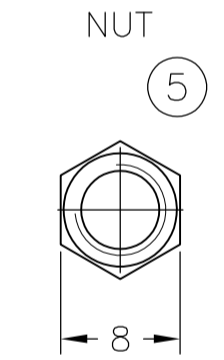
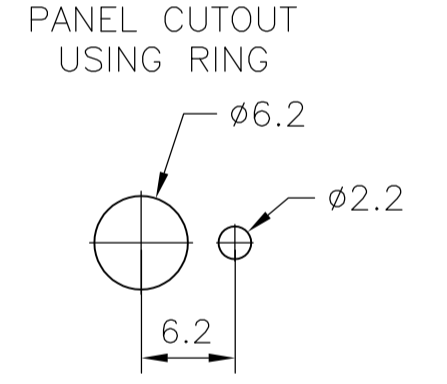
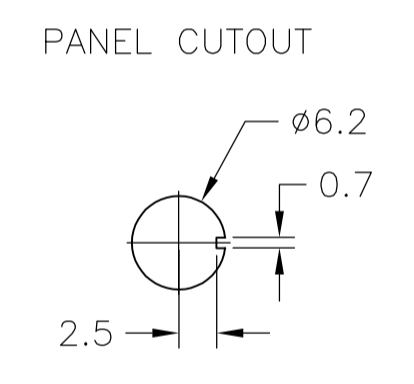
PRINTING OF LOGO AND RATING
 MODEL NO.
 RATING
 SW. FUNCT.

FUNCTION CHART



| TE PN | PART | TERMINALS 1 AND 2 | TERMINALS 2 AND 3 |
|-------------|----------|-------------------|-------------------|
| 2-6437630-0 | FTD0904 | ON | NONE |
| 5-6437630-7 | FTF0904 | (ON) | NONE |
| 6-6437630-2 | FTE0904 | ON | OFF |
| 4-6437630-8 | FTH0904 | (ON) | OFF |
| 5-6437630-5 | FTG0904 | (ON) | (ON) |
| 3-6437630-4 | FTD09G04 | ON | NONE |
| 6-6437630-3 | FTF09G04 | (ON) | NONE |
| 5-6437630-1 | FTE09G04 | ON | OFF |
| 6-6437630-4 | FTH09G04 | (ON) | OFF |
| 3-6437630-8 | FTG09G04 | (ON) | OFF |

(ON): MOMENTARY ACTION
 OFF: MECHANICAL POSITION WITHOUT ELECTRICAL CONNECTION
 NONE: NO MECHANICAL POSITION



1.5 THICK 1 THICK 0.63 THICK

- 0.5VA NO SWITCH FUNCTION WILL BE MARKED BUT WILL BE MARKED GOLD CON.
- 2 OPERATING TEMPERATURE -20°C TO +70°C
- 3 ALL MATERIALS AND FINISHES COMPLY WITH RoHS DIRECTIVE

| CONTACT MATERIAL | TE PN | PART | RATING | INITIAL CONTACT RESISTANCE | INSULATION RESISTANCE | DIELECTRIC STRENGTH | ENDURANCE |
|---|--|--|--------------------------|--|----------------------------------|--------------------------------|---|
| C3602BD Ep-Cu/Ni3,Au1b | 3-6437630-4 6-6437630-3 5-6437630-1 3-6437630-8 | FTD09G04 FTF09G04 FTE09G04 FTG09G04 | 20V AC/DC 0.4VA MAX | MAX 10 MILLIOHMS AT DC 2~4V 0.1A | MIN 1000 M Ohms AT DC 500V | AC 1KV/1MIN (AC 1.2KV/1SEC) | ELECTRICALLY 50,000 CYCLES AT 20 CYCLES/MIN (RATED LOAD RESISTIVE) MECHANICALLY 100,000 CYCLES AT 20 CYCLES/MIN |
| | 6-6437630-4 | FTH09G04 | | | | | ELECTRICALLY 25,000 CYCLES AT 20 CYCLES/MIN (RATED LOAD RESISTIVE) MECHANICALLY 50,000 CYCLES AT 20 CYCLES/MIN |
| 99.8% Silver + C3602BD Ep-Cu/Ni3,AuFb | 5-6437630-7 | FTF0904 | AC 125V 6A AC 250V 6A | MAX 10 MILLIOHMS AT DC 2~4V 1A | MIN 1000 M Ohms AT DC 500V | AC 1KV/1MIN (AC 1.2KV/1SEC) | ELECTRICALLY 50,000 CYCLES AT 20 CYCLES/MIN (RATED LOAD RESISTIVE) MECHANICALLY 100,000 CYCLES AT 20CYCLES/MIN |
| | 2-6437630-0 6-6437630-2 4-6437630-8 5-6437630-5 | FTD0904 FTE0904 FTH0904 FTG0904 | | | | | |

| MATERIALS CHART | | | |
|----------------------|------------------|-----------|---------|
| Ep-Fe/Cu2,Ni4b | SK-5 | L WASHER | 7 |
| Ep-Fe/Cu2,Ni3b | SPCC | RING | 6 |
| Ep-Cu/Ni3b | C3602BD | NUT | 5 |
| Ep-Cu/Ni3,Cr1b | C3602BD | ACTUATOR | 4 |
| Ep-Cu/Ni3b | C3602BD | BUSHING | 3 |
| | SUS | FRAME | 2 |
| | POLYESTER RESIN | CASE | 1 |
| OPTIONAL DESCRIPTION | MATERIAL/SURFACE | PART NAME | PART NO |

THIS DRAWING IS A CONTROLLED DOCUMENT.

| | | | | | |
|----------------|--|-------------------------|-----------|-----------|------------|
| DIMENSIONS: mm | TOLERANCES UNLESS OTHERWISE SPECIFIED: | DIN RAGHAVENDRA 02AUG10 | 02AUG10 | 02AUG10 | 02AUG10 |
| 0 PLC ± - | 1 PLC ± - | 2 PLC ± - | 3 PLC ± - | 4 PLC ± - | ANGLES ± - |

APPROVED: MICHAEL WILBOURN
 NAME: MICHAEL WILBOURN
 PRODUCT SPEC: TOGGLE SWITCH F-SERIES SP STANDARD LEVER
 APPLICATION SPEC: TOGGLE SWITCH F-SERIES SP STANDARD LEVER
 MATERIAL: - FINISH: - WEIGHT: -
 CUSTOMER DRAWING: A1 00779 ©=1968510
 SCALE: 1:1 SHEET: 1 of 1 REV: A1