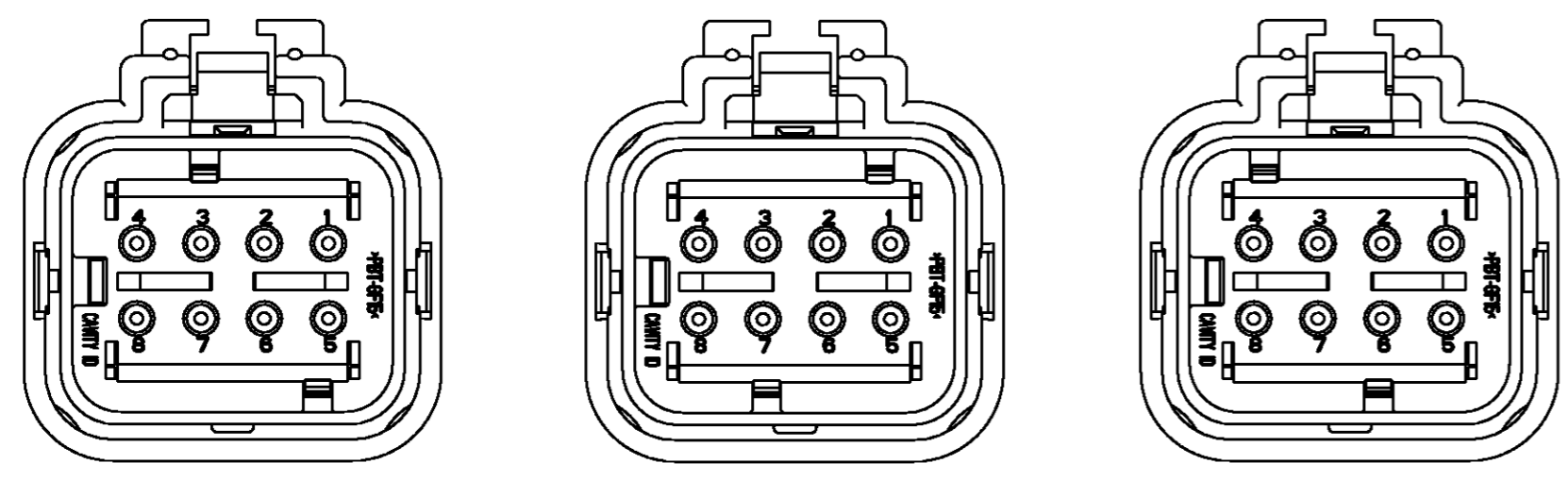


THIS DRAWING IS UNPUBLISHED. RELEASED FOR PUBLICATION 20
 © COPYRIGHT BY ALL RIGHTS RESERVED.

LOC	DIST	REVISIONS			
P	LTR	DESCRIPTION	DATE	DWN	APVD
GE	00				
	D1	REVISED PER ECO-11-005294	29APR11	RK	HMR

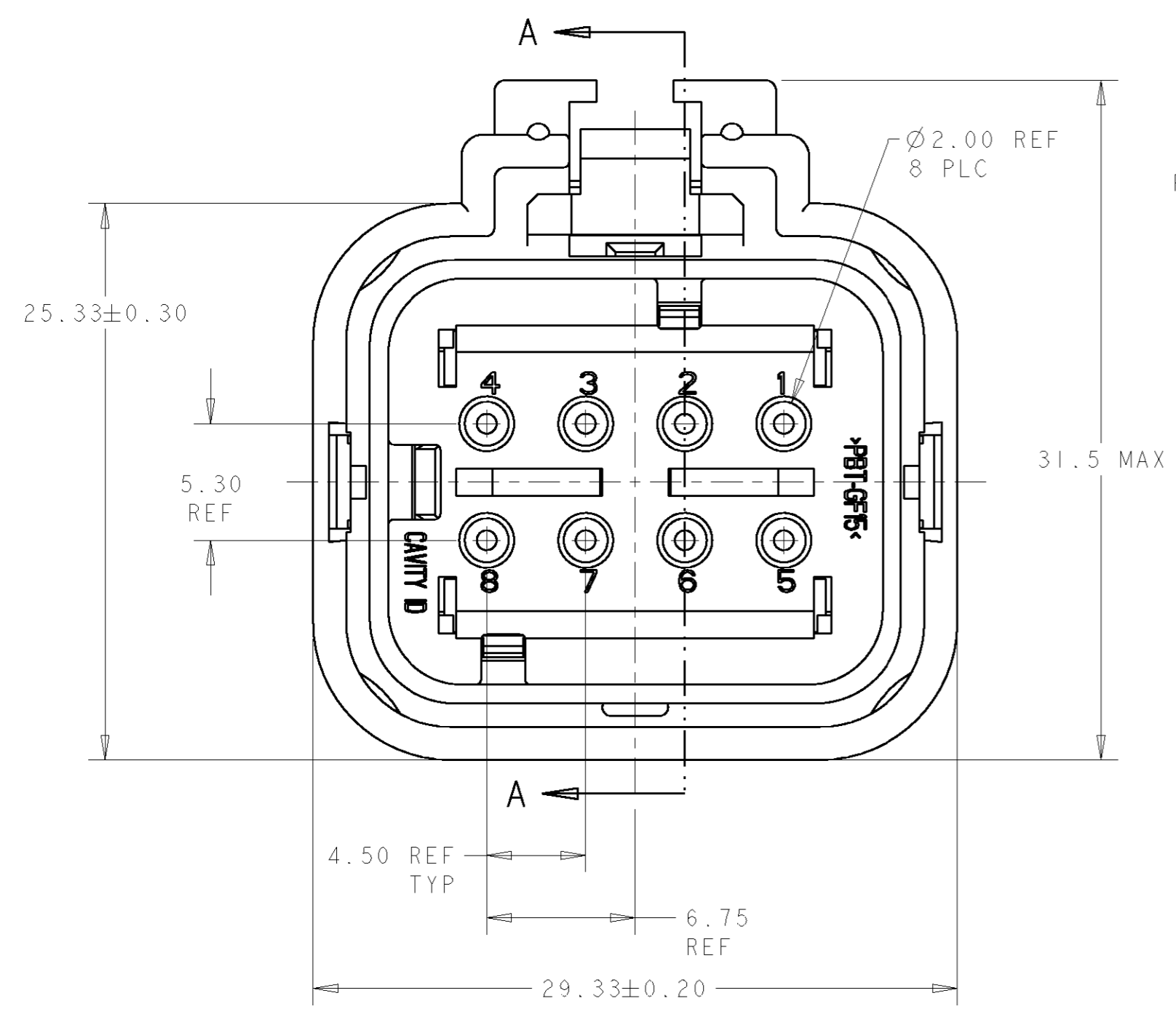


776532-2
(GRAY TPA)
SCALE 2:1

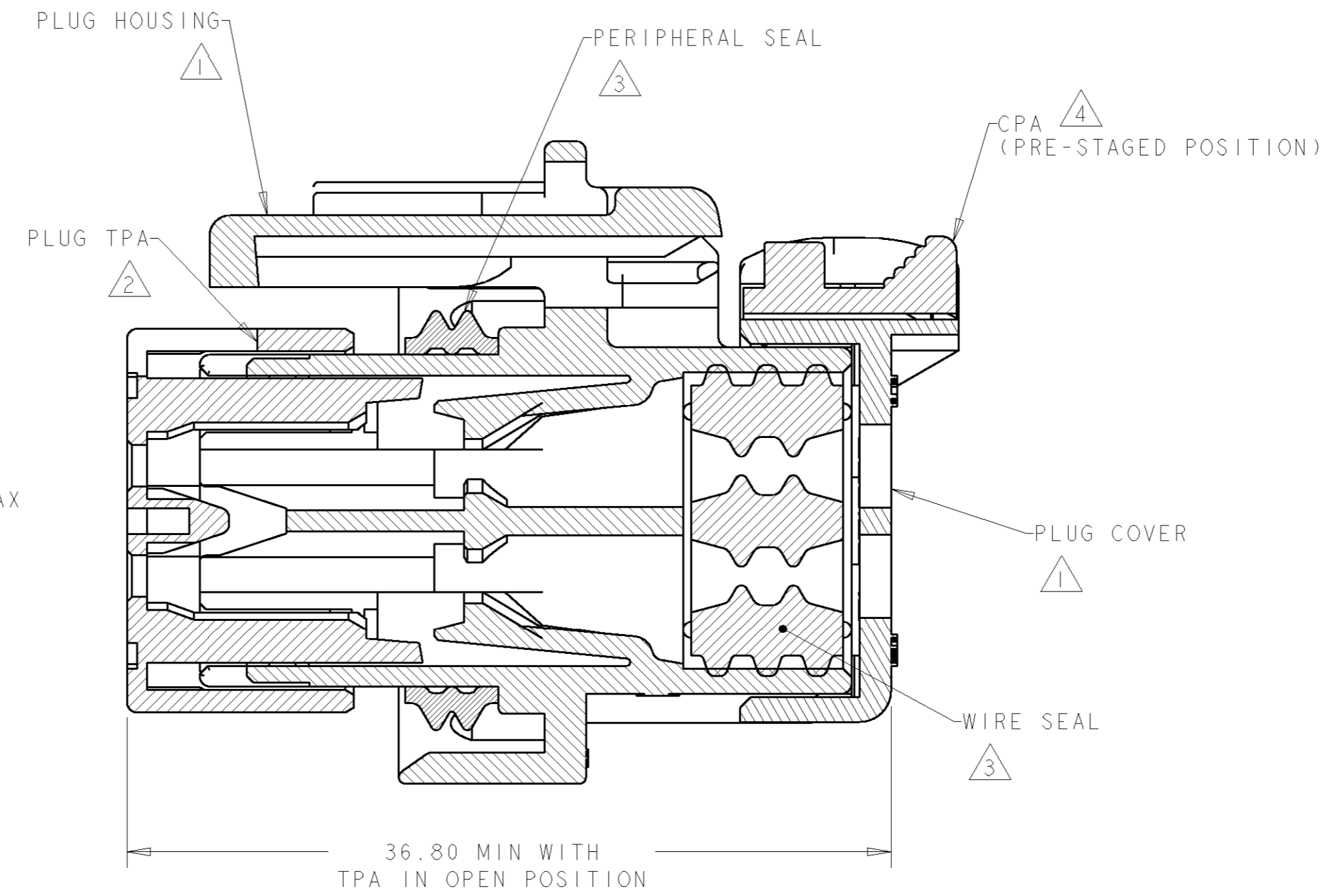
776532-3
(YELLOW TPA)
SCALE 2:1

776532-4
(GREEN TPA)
SCALE 2:1

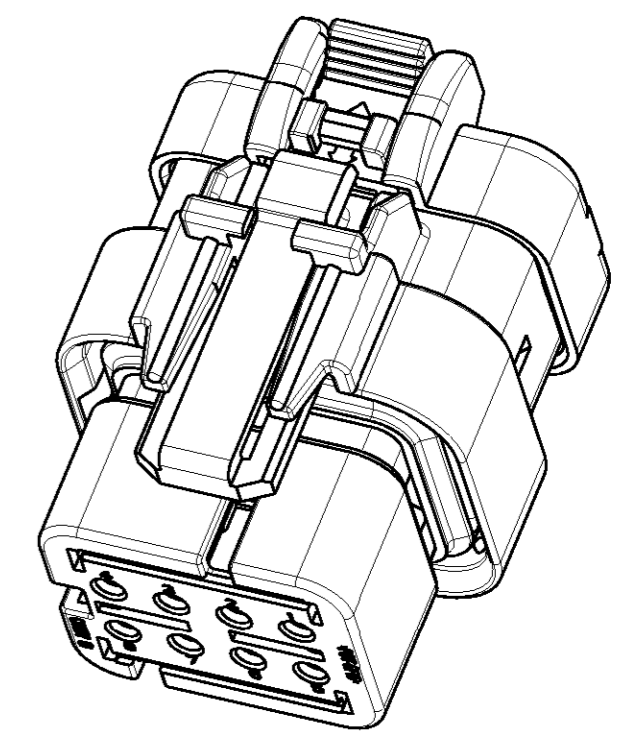
- 1 MATERIAL: 15% GLASS FILLED THERMOPLASTIC
COLOR: BLACK
 - 2 MATERIAL: 15% GLASS FILLED THERMOPLASTIC
COLOR: (SEE TABLE)
 - 3 MATERIAL: SILICONE
COLOR: ORANGE
 - 4 MATERIAL: 15% GLASS FILLED THERMOPLASTIC
COLOR: RED
5. RECOMMENDED WIRE DIAMETER RANGE IS 1.30 TO 2.54mm.



776532-1 SHOWN



SECTION A-A



SCALE 2:1

GREEN	776532-4
YELLOW	776532-3
GRAY	776532-2
RED	776532-1
TPA COLOR	PART NUMBER

DIMENSIONS: mm 		TOLERANCES UNLESS OTHERWISE SPECIFIED: 0 PLC ± 1 PLC ± 2 PLC ± 3 PLC ± 4 PLC ± ANGLES ± FINISH		DWN B. SIMPSON 05NOV2002 CHK D. KLEIN 05NOV2002 APVD D. KLEIN 05NOV2002 PRODUCT SPEC - APPLICATION SPEC 114-13065 WEIGHT - CUSTOMER DRAWING		STE TE Connectivity NAME PLUG ASSEMBLY, 8 POSITION, DUAL ROW, REDUCED DIA WIRE SEAL, AMPSEAL 16 SIZE A2 CAGE CODE 00779 DRAWING NO G-776532 RESTRICTED TO - SCALE 4 OF REV D1	
-----------------------	--	---	--	---	--	---	--