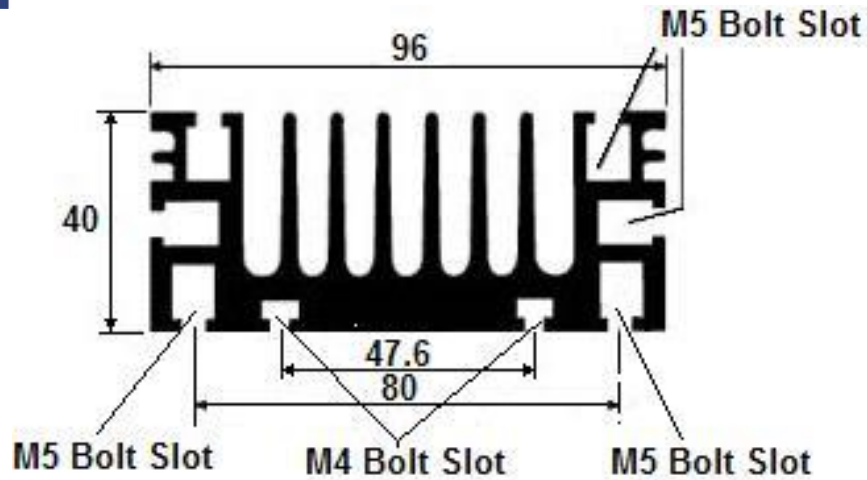




Telephone +44 (0) 121 789 8686
Fax (Sales) +44 (0) 121 789 8778
Fax (Admin) +44 (0) 121 789 9696

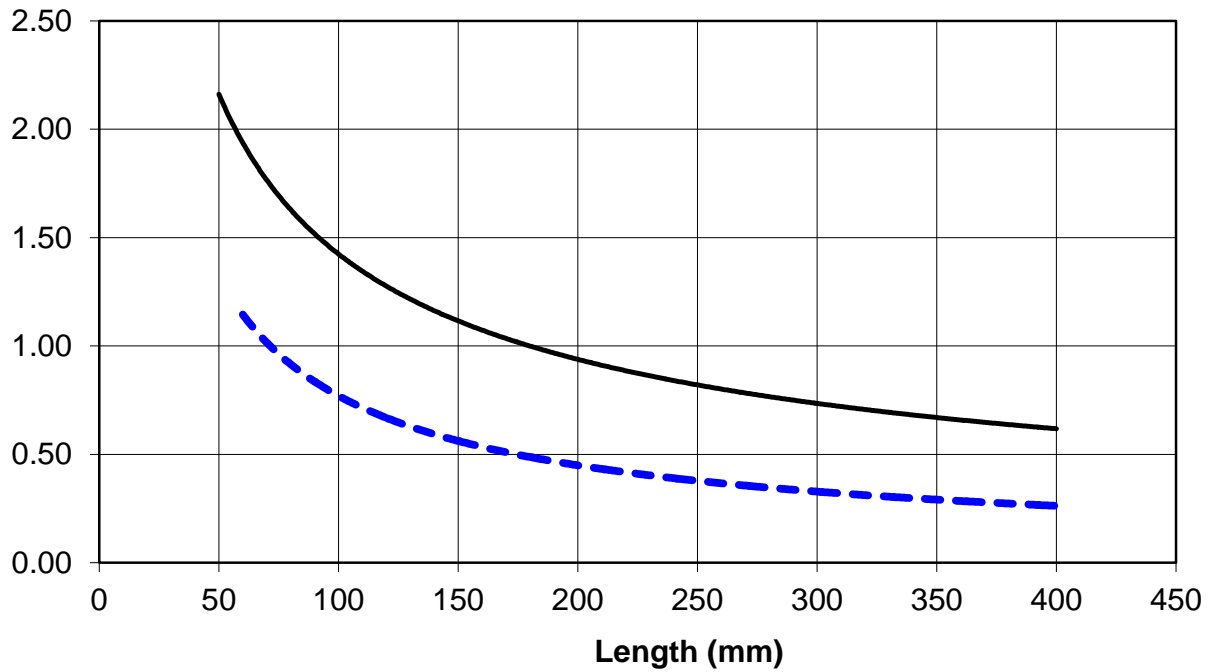
sales@ablcomponents.co.uk

150AB



Rise Above Ambient (°C/W)

HEAT SINK PERFORMANCE



Thermal Resistance is calculated based on a distributed heat load and vertically mounted fins anodised heatsink with a 60°C temperature. Under general operating conditions the thermal mounting arrangement of devices is not known and therefore the figures should be used only as a guide to selection. We recommend that the effectiveness of any heatsink is tested in the specific operating environment in which it will be subjected. Drawing above is for illustration purposes only. If any further information is required please contact us.