

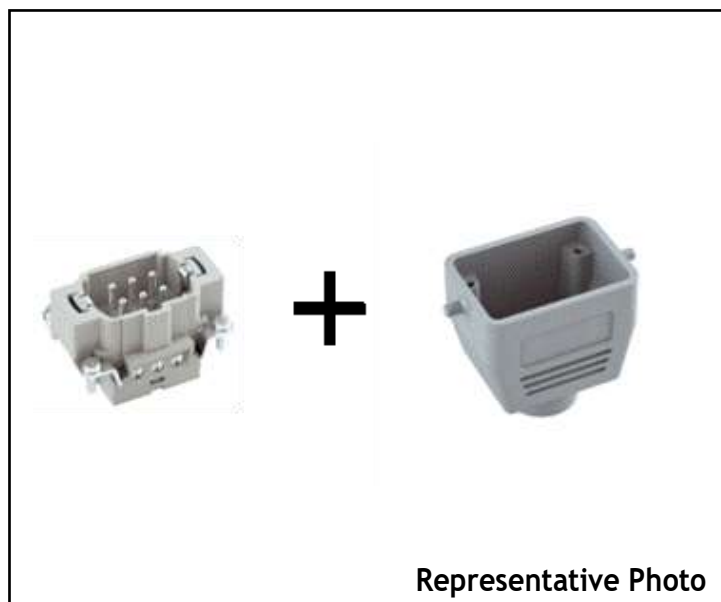
Heavy Duty Power Connector Inserts & Modules

Features

- 6P+E Male Insert 16A
500V 50-60Hz Screw
6B Size
- 6B Hood Alum.Single
Lever w/o Latch Grey
IP65 Side Ent.M20

RS PRO Industrial Power Connectors

RS Stock No.: 0747671



RS Professionally Approved Products bring to you professional quality parts across all product categories. Our product range has been tested by engineers and provides a comparable quality to the leading brands without paying a premium price.

Heavy Duty Power Connector Inserts & Modules

Product Description

- Heavy-duty connectors with inserts and aluminum hoods are designed for industrial automation, power distribution, transportation, and harsh environments like mining and construction, ensuring reliable electrical connections in demanding conditions. They are commonly used with industrial cables, control panels, and heavy-duty electrical components such as contactors and relays. However, they are not suited for high-frequency data transmission or light-duty consumer electronics, as they are built for durability rather than delicate signal integrity or small-scale

General Specifications

Flammability acc. to UL 94	V 0
Limiting temperature	-40 ... +125 °C
Mating cycles	≥500
Material (insert)	PBT
Material (Contacts)	Brass (Silver Plated)


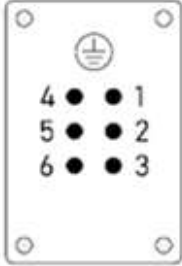
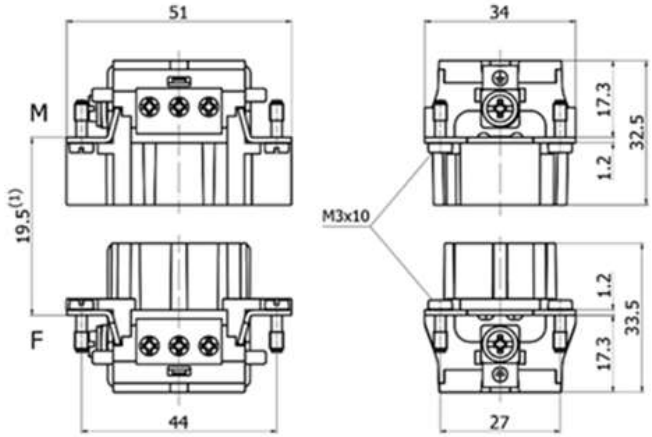
Mechanical Specifications

Termination	Screw terminal
Cable Entry	Back
Electrical Data	
acc. to EN 61984	16 A 500 V 6 kV 3
Wire gauge	0.752.5 mm ²
Stripping Length	7 mm
Tightening Torque	0.5 Nm
Mechanical Working Life	≥500
AWG	18-14
Insulation resistance	≥10 ¹⁰ Ω
Contact Resistance	≤1 mΩ

General Specifications Hoods

Material	Aluminum	Polycarbonate
Colour	RAL 7037 (grey)	RAL 7032 (light grey)/ RAL 9005 (black)
Surface	Powder-coated	-
Locking element	Stainless steel	Polyamide
Lever type	Steel	Lever, plastic
Hoods/Housing seal	NBR	NBR
Limiting temperatures	-40 °C... +125 °C	-40 °C... +125 °C
Degree of protection acc. to DIN EN 60 529 for coupled connector	IP65	IP65

Heavy Duty Power Connector Inserts & Modules

RS Pro 6 E 16 A 500 V 6 kV 3		6 B
Male insert (M)		
  <p style="text-align: center;">Male</p>		 <p>(1) distance for contact max. 21mm</p>

RS Pro Hoods/Housings		6 B
Hood	Cable Entry 1x M20	
