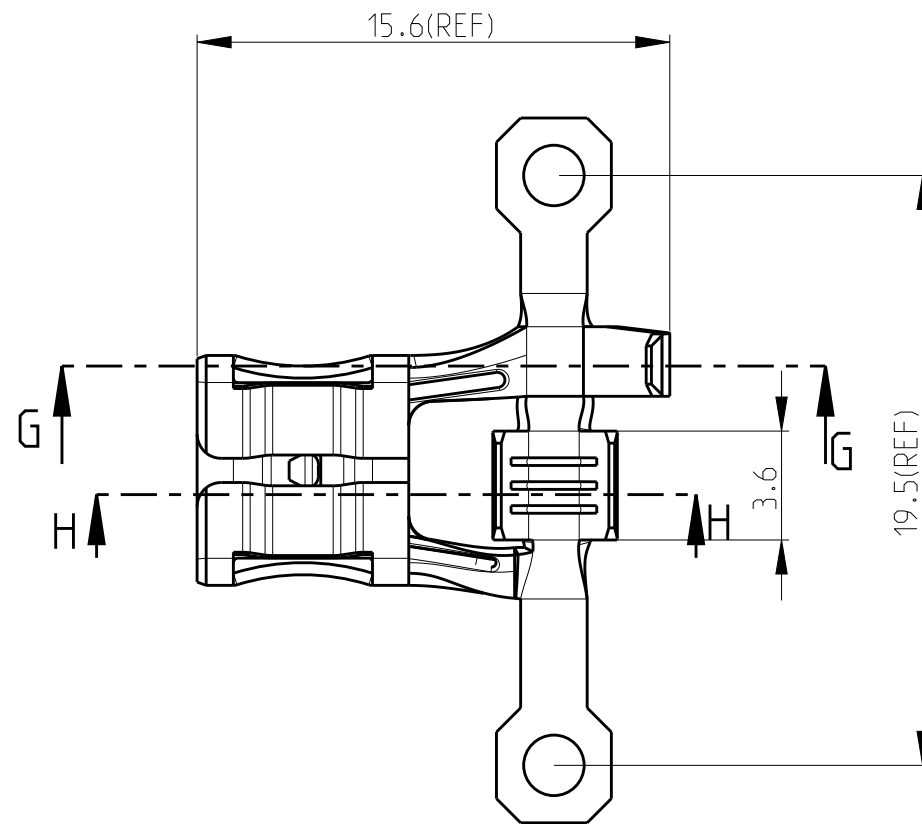
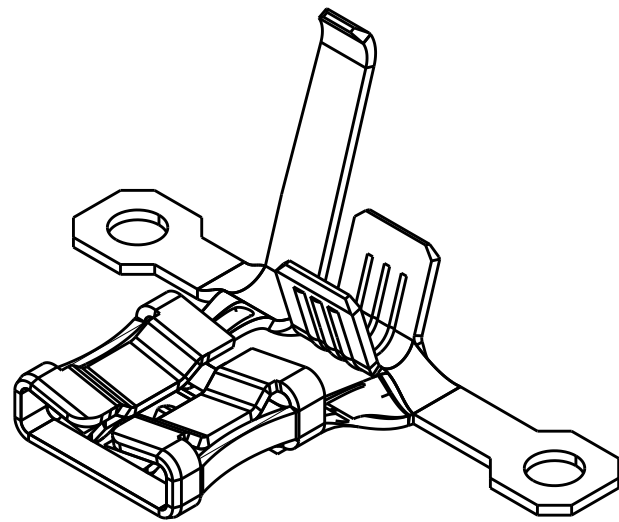


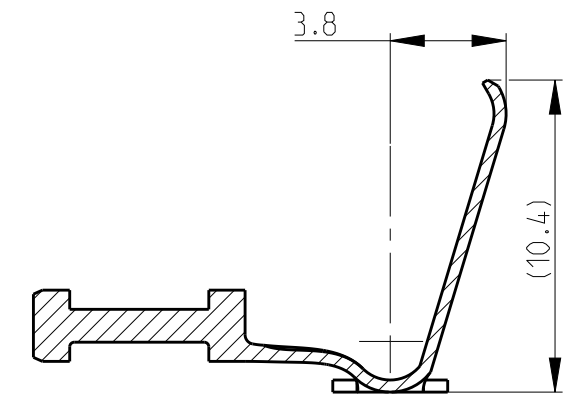
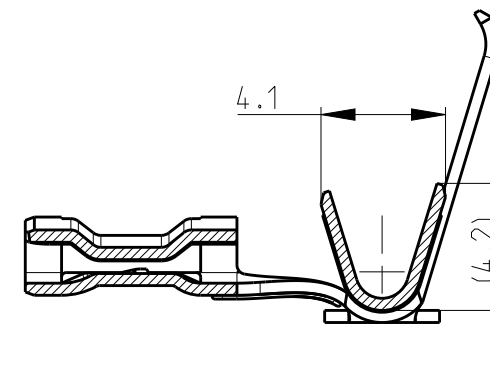
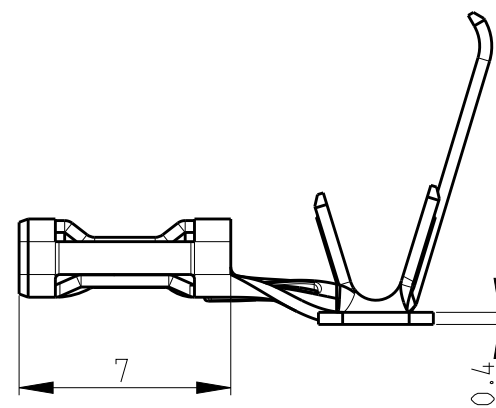
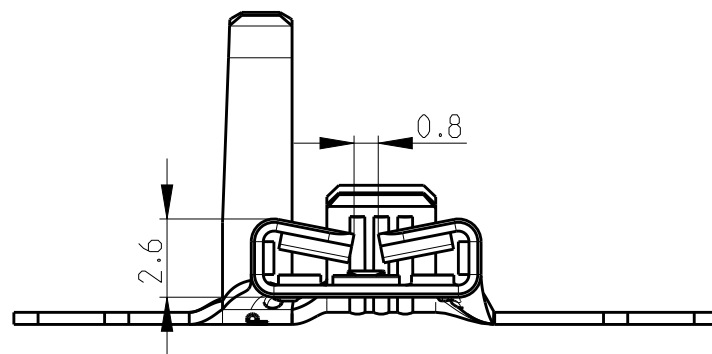
THIS DRAWING IS UNPUBLISHED. RELEASED FOR PUBLICATION 20  
 © COPYRIGHT 20 BY TYCO ELECTRONICS CORPORATION ALL RIGHTS RESERVED.

LOC	DIST	REVISIONS					
		P	LTR	DESCRIPTION	DATE	DWN	APVD
-	-		A	RELEASE PER ECR-14-018864	24DEC2014	DL	TD
			A1	RELEASE PER ECR-15-004911	31MAR2015	DL	TD
			A2	RELEASE PER ECR-15-013713	21SEP2015	DL	TD




NOTE:

1. CONTINUOUS STRIP ON REELS
2. MATING TAB ACCORDING TO UL310 AND IEC61210 NORM. (WIDTH\*THICKNESS IS 6.3\*0.8 mm)
3. WIRE SIZE IS #16-#12 AWG(1.5-3.3 sqmm)
4. INSULATION RANGE IS Ø2.7-3.8mm
5. CUT-OFF LENGTH IS 0.5mm MAX.



SECTION H-H

SECTION G-G

THIS DRAWING IS A CONTROLLED DOCUMENT.		DWN VIBHUTHI 29NOV2012	 TE Connectivity			
DIMENSIONS: mm		CHK SUBHASH M 29NOV2012				
TOLERANCES UNLESS OTHERWISE SPECIFIED:		APVD SURESH T N 29NOV2012				
0 PLC ±0.5 1 PLC ±0.5 2 PLC ±0.25 3 PLC ± 4 PLC ± ANGLES ±1° FINISH SEE TABLE		PRODUCT SPEC 108-64027 APPLICATION SPEC 114-64027 WEIGHT -				
Pre-NICKEL	Steel	2178439-1	NAME 6.3 SRS FLAG F-SPRING LIF RECEPTACLE			
FINISH	MATERIAL	PART NO.	SIZE A3	CAGE CODE 00779	DRAWING NO C=2178439	RESTRICTED TO -
Customer Drawing			SCALE 4:1	SHEET 1 OF 1	REV A2	