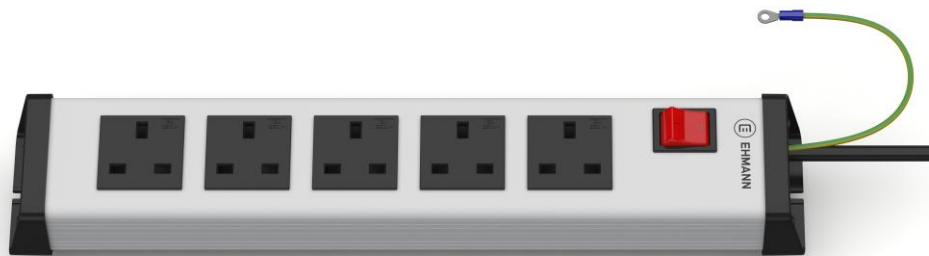


## Universal socket strip 5-fold with ext. protective earth conductor (type G)

Item-No.: 0201x0605230b-9 (1,5 m cord)



Robust plastic, grey

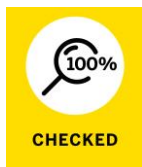
Built-in sockets (90° rotated), quadrangular

1,5 m power cord and angle plug

Expanded contact protection by using a shutter


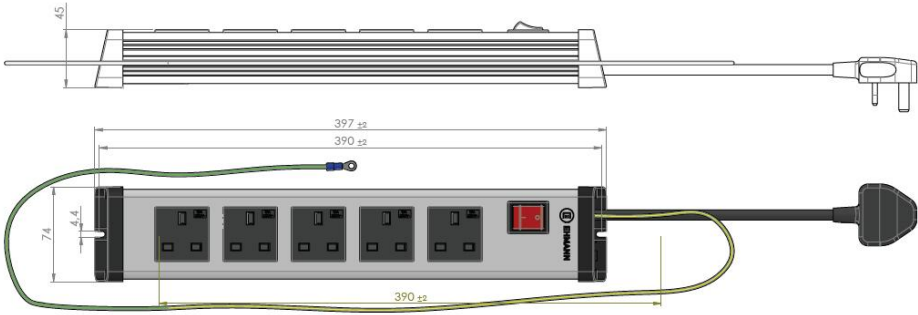
End caps with mounting possibility

Extended protection against accidental contact through additional external protective earth conductor



## Universal socket strip 5-fold with ext. protective earth conductor (type G)

Technical data

<p><b>3.600 W</b> <b>Power</b></p>	<p><b>230 V ~ (+/- 10%) / 50 Hz</b> <b>Rated voltage</b></p>	<p><b>16 A</b> <b>Rated current</b></p>
<p>Power Cord: H05VV-F 3G 1,5 mm<sup>2</sup>            Plug: BP1 British Standard Type G, BS 1363/A, angled            Sockets: Type G            Switch: 2-pole, illuminated (red)            Consumption per switch: &lt; 0,4 W            Earth conductor: ring cable lug 4,2x 1,5 mm<sup>2</sup>, length approx. 1 m            Safety class: IP20</p>		
 <p>(similar illustration)</p>		
<p>Item-No. 0201x0605230b-9 (1,5 m cord)    EAN 4012096013624    PU 10</p>		<p>397 x 74 x 45 mm Dimensions (L x W x H) 390 mm Fixing Dimension</p>