



SITOR SWITCH DISCONNECTOR 10X38,
UP TO 32 A, 690 V AC

Similar to image

Technical data:

Design of the operating mechanism		others
Design of the electrical connection / for main current circuit		screw-type terminals
Number of poles		3
Installation size of fuse-link		Other
Protection class IP / on the front		Other
Continuous current / rated value	A	32
Acceptability for application		
• emergency stop switch		No
• safety cut-out switch		Yes
• main switch		No
• switch disconnecter		Yes
Type of fixing/fixation		
• front mounting		Yes
• Rail installation		No
• floor mounting		No
Conditional short-circuit current / rated value	kA	50
Product function / fuse monitoring		No
Tension d'emploi / sous AC / valeur assignée / maximum	V	690

Certificates/approvals:

General Product Approval

Declaration of Conformity



[ROSTEST](#)



[Manufacturer](#)

Further information:

Information- and Downloadcenter (Catalogs, Brochures,...)

<http://www.siemens.com/lowvoltage/catalogs>

Industry Mall (Online ordering system)

<http://www.siemens.com/lowvoltage/mall>

Service&Support (Manuals, Certificates, Characteristics, FAQs,...)

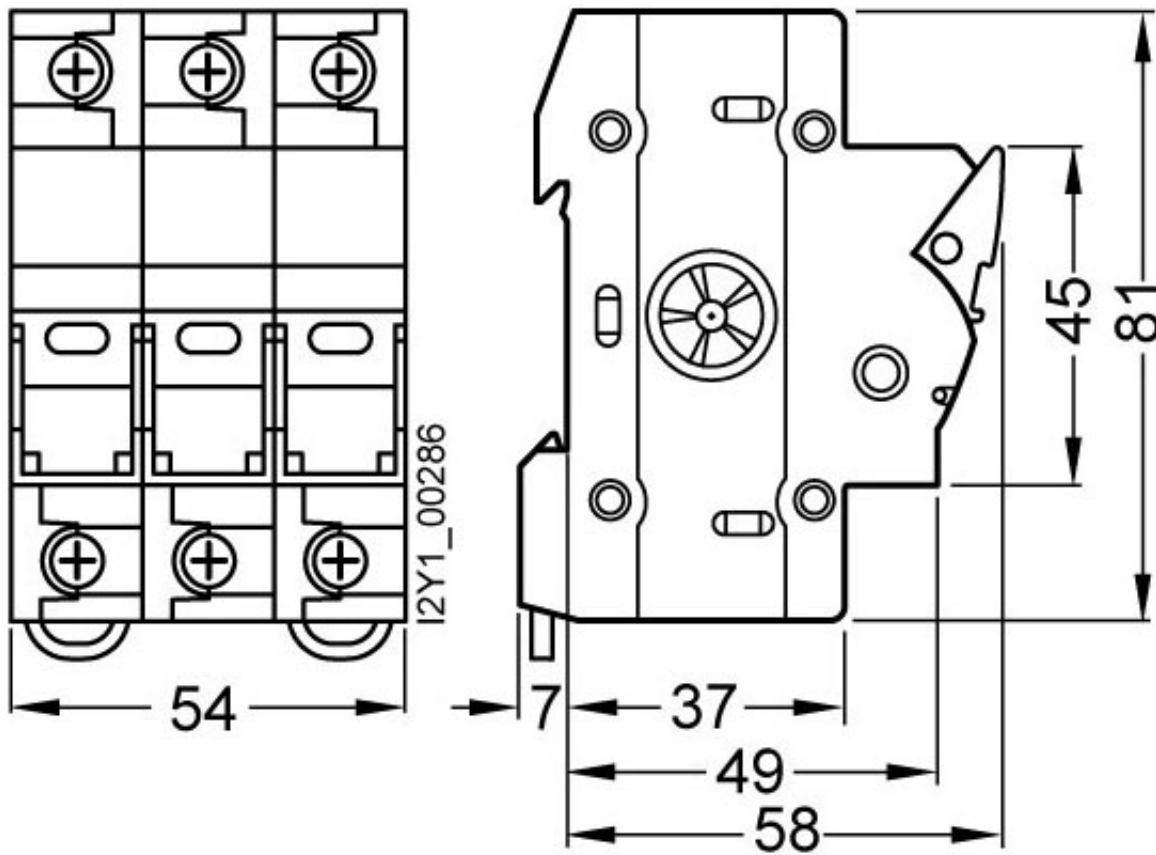
<http://support.automation.siemens.com/WW/view/en/3NC1093/all>

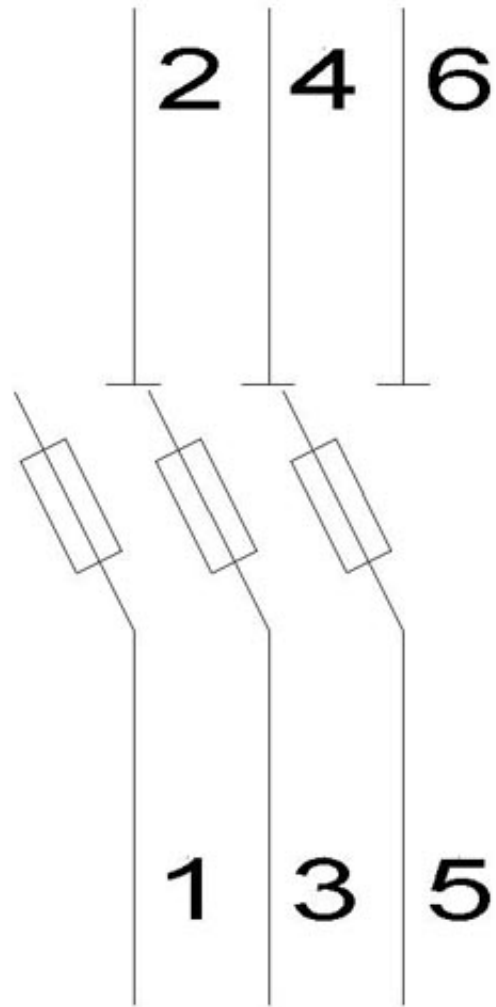
Image database (product images, 2D dimension drawings, 3D models, device circuit diagrams, ...)

http://www.automation.siemens.com/bilddb/cax_en.aspx?mlfb=3NC1093

CAX-Online-Generator

<http://www.siemens.com/cax>





last change:

Mar 12, 2012