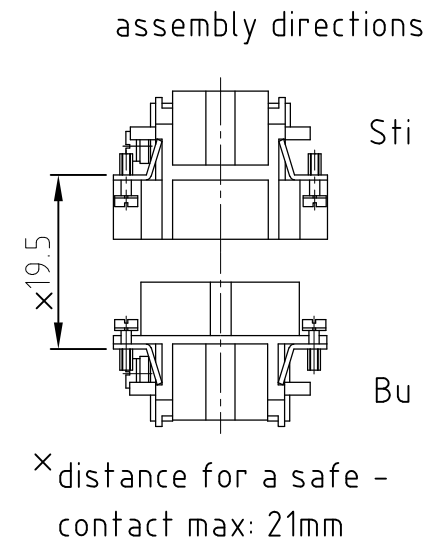
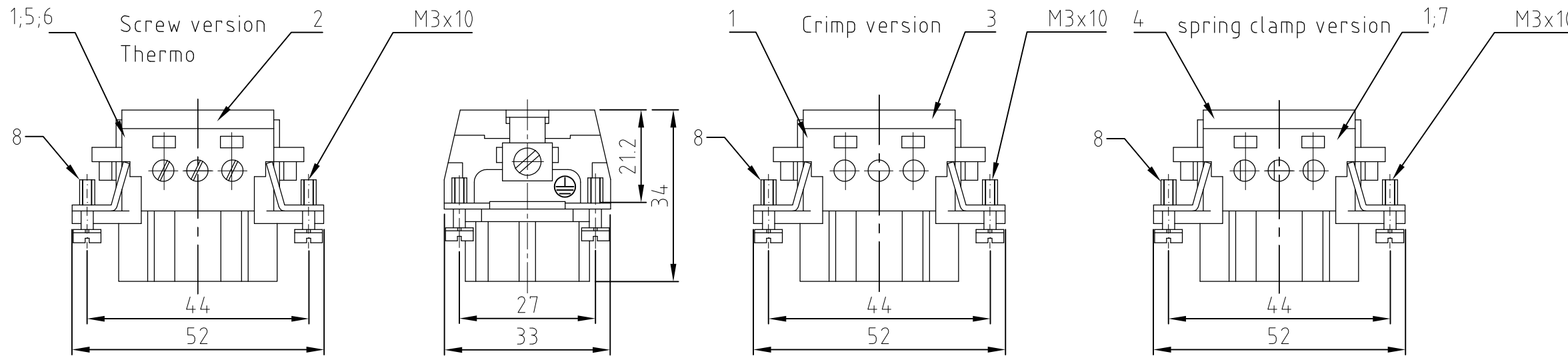
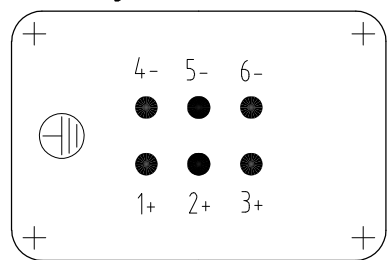


LOC	DIST	REVISIONS ÄNDERUNGEN		
A1	-	P	LTR	DESCRIPTION BESCHREIBUNG
PROJEKT NR.:		A8	text for packaging corrected	DATE
				DWN
				APVD
				22.01.08
				SR
				ST



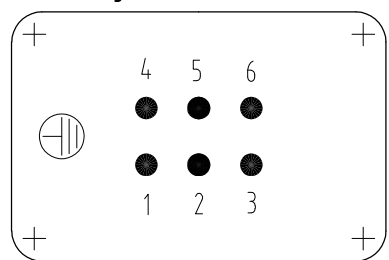
Printing 1-6 Thermo



Contact arrangement

view from termination side

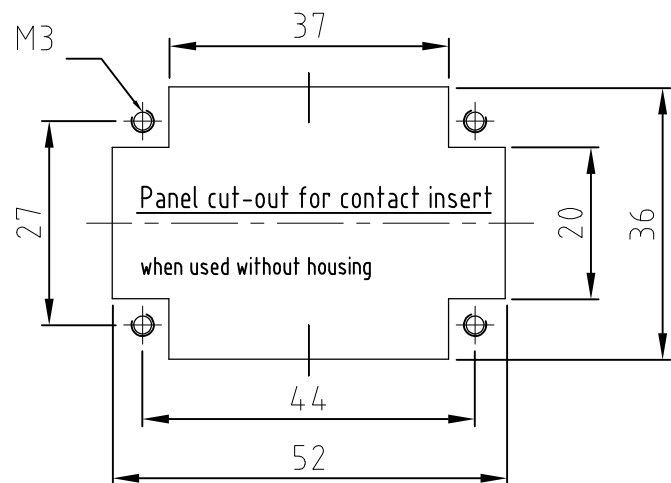
Printing 1-6 Screw



NOTES:

- SUITABLE CRIMP CONTACTS: SERIES HE/HA  
OUTER DIMENSIONS OF INSULATION: MAX. Ø3,2 MM
- SUITABLE HOOD SIZE 3: SERIES HB; HD; HIP; EMV  
SUITABLE INSERTION AND EXTRACTION TOOL:  
SCREWDRIVER 0,5x3 DIN 5264
- Strip length: Screw conection 10mm  
Spring clamp conection 10mm Crimp conection 7.5mm
- STANDARDS:  
DIN EN 61984; DIN EN 60664-1
- PACKAGING:  
5 SETS IN A CARTON, PRE-MOUNTED
- SPECIAL PACKAGING: Krauss-Maffei  
PACKAGING UNIT: 150 PIECES

4	4	4	4	4	4	fixing screw	steel	nickel plated	blue	8	M3x10
		6				contact spring clamp	brass	silver plated		7	
	6					contact socket screw termination	brass	gold plated		6	
6					6	contact socket screw termination	brass	silver plated		5	
		1				cover spring clamp version			light grey	4	
			1			cover crimp version			light grey	3	
1	1			1	1	cover screw version			light grey	2	
1	1	1	1	1	1	socket insert			light grey	1	
0-3	0-2	7-1	2-3	1-7	1-1						
DESCRIPTION							MATERIAL	COLOR		ITEM NO. POS.	NOTES SURFACE



THIS DRAWING IS A CONTROLLED DOCUMENT FOR AMP INCORPORATED. IT IS SUBJECT TO CHANGE AND THE CONTROLLING ENGINEERING ORGANIZATION SHOULD BE CONTACTED FOR THE LATEST REVISION. DIESES ZEICHNUNGSDOKUMENT WIRD DURCH AMP INCORPORATED KONTROLLIERT. ÄNDERUNGEN, DIE DEM TECHNISCHEN FORTSCHRITT DIENEN, SIND VORBEHALTEN. DEN JEWEILS LETZTGEUELTIGEN ÄNDERUNGSSTAND ERFAHREN SIE AUF ANFRAGE.

DIMENSIONS: DIMENSIONEN: mm

TOLERANCES UNLESS OTHERWISE SPECIFIED: ALLGEMEINTOLERANZEN

ISO 8015  
D. ISO 2768 - mH - E  
D. DIN 16901 - 14.0

0 PLC #  
1 PLC #  
2 PLC #  
3 PLC #

ANGLES / WINKEL #  
FINISH / OBERFLÄCHE / FARBE

DWN Gräf 12.02.1999  
CHK Schweiger 18.02.1999

APVD -  
PRODUCT SPEC -  
APPLICATION SPEC -

NAME: Female insert  
HE.6.BU.C/S

SIZE: A3  
CAGE CODE: 00779  
DRAWING NO: 1103635  
RESTRICED TO NUR FUER: -

CUSTOMER DRAWING / KUNDENZEICHNUNG  
SCALE: MASSSTAB 1:1  
SHEET: BLATT 1 OF 1 VON 1  
REV. A8